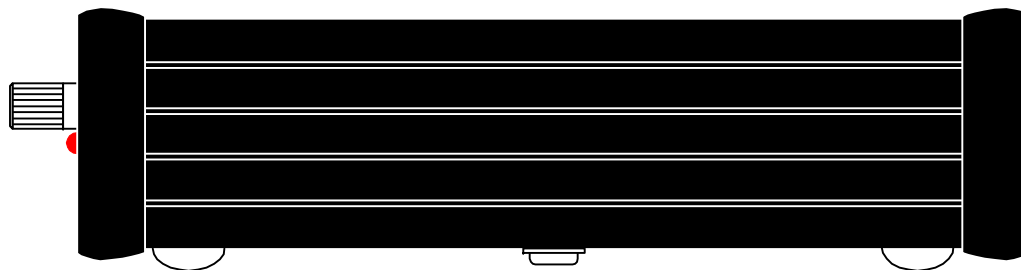


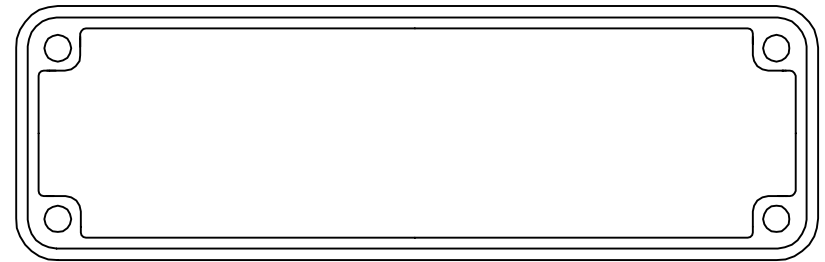
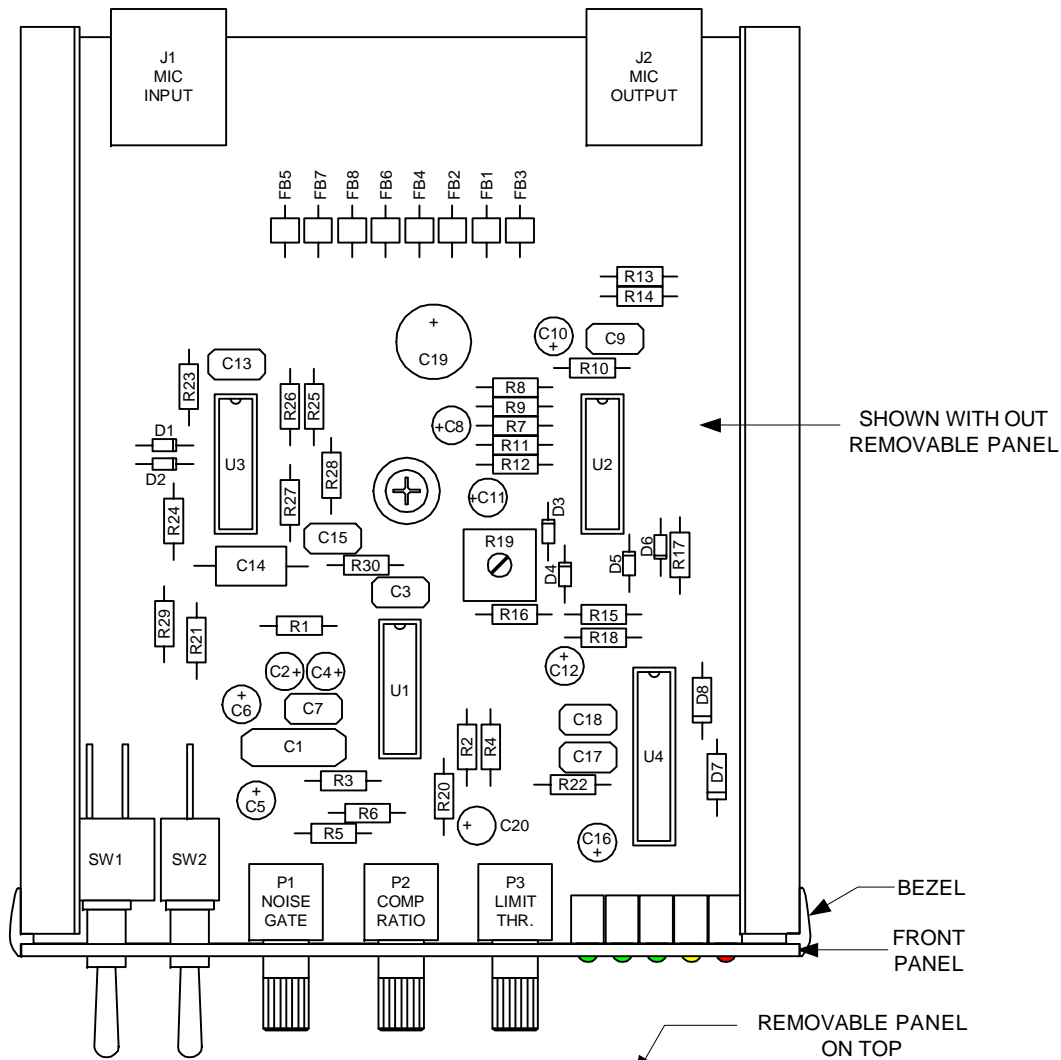
REAR VIEW



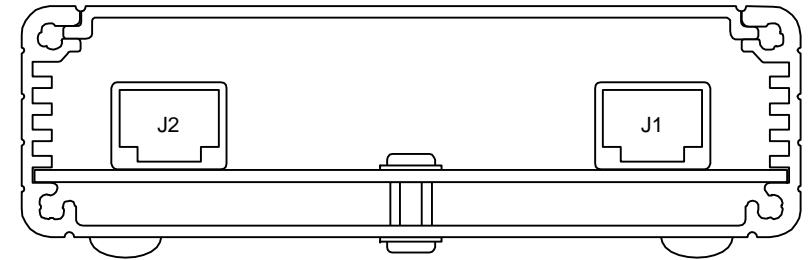
DESIGN: A. BAKER	06/02/04
TESTED: A. BAKER	09/23/04

KG4JJH

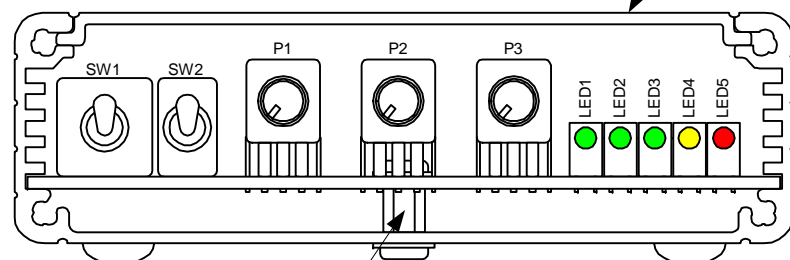
FT-817 VOCALMASTER
ASSEMBLY



BEZEL

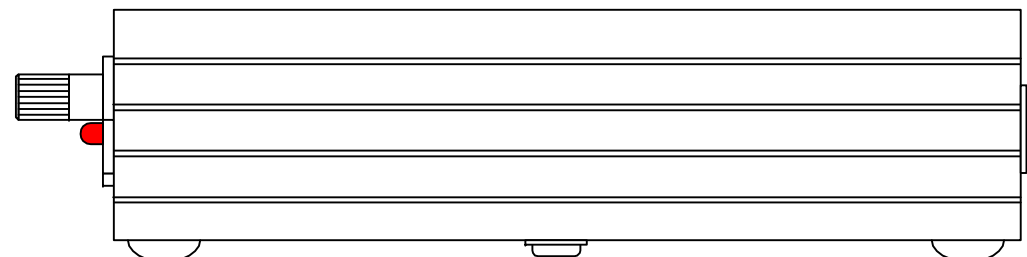


REAR VIEW



HEX SPACER
1/4" L X 4-40
(TRIM LENGTH AS REQUIRED)

4-40 X 3/16" SCREW WITH
INTERNAL WASHER, 2 EA.

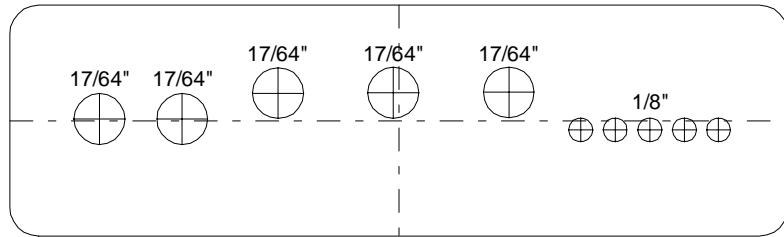


DESIGN: A. BAKER 06/02/04
TESTED: A. BAKER 09/23/04

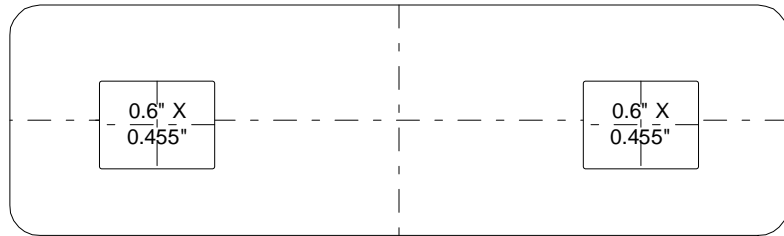
KG4JJH

FT-817 VOCALMASTER
PCB MOUNTING

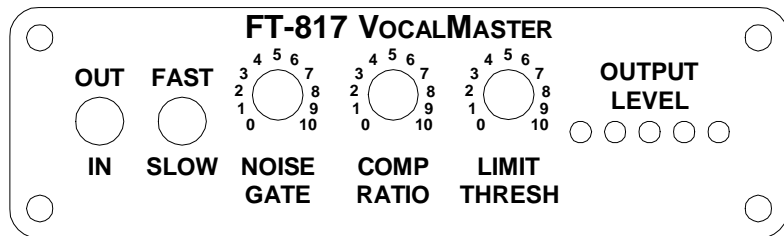
SCALE: 1:1 SHEET 2 OF 12 REV. 0



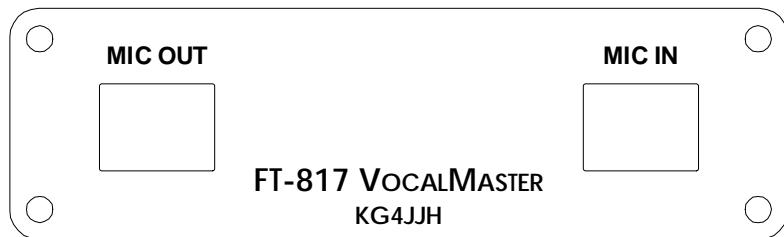
FRONT PANEL



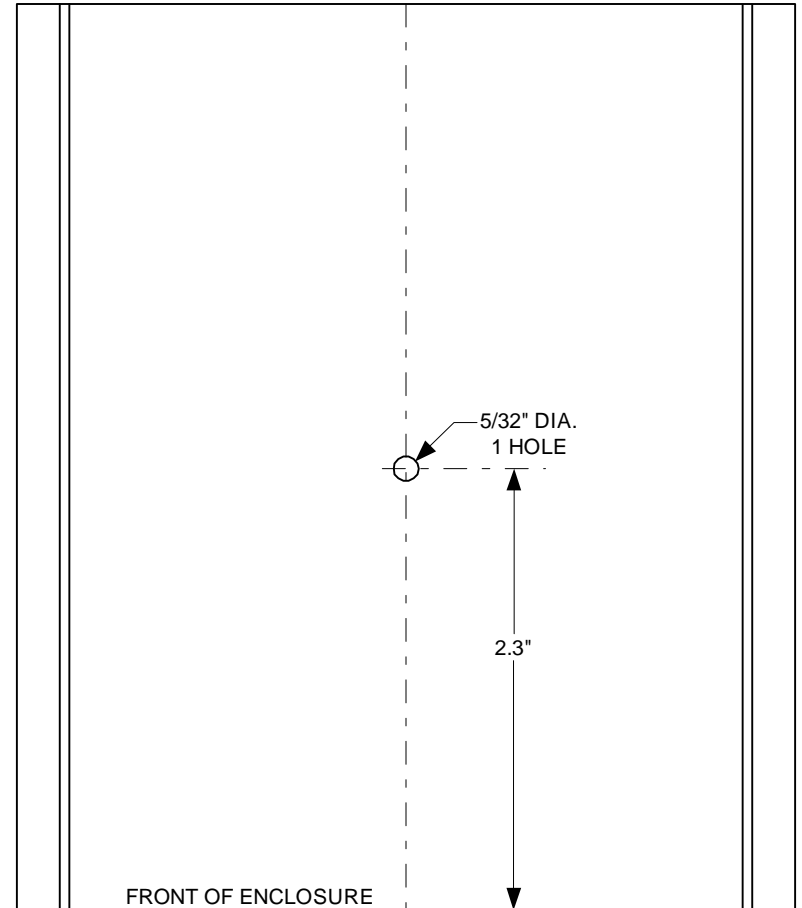
REAR PANEL



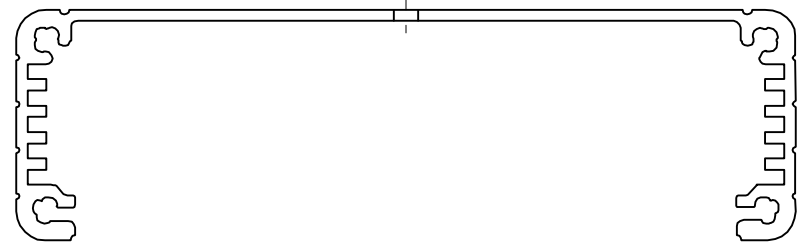
FRONT PANEL



REAR PANEL

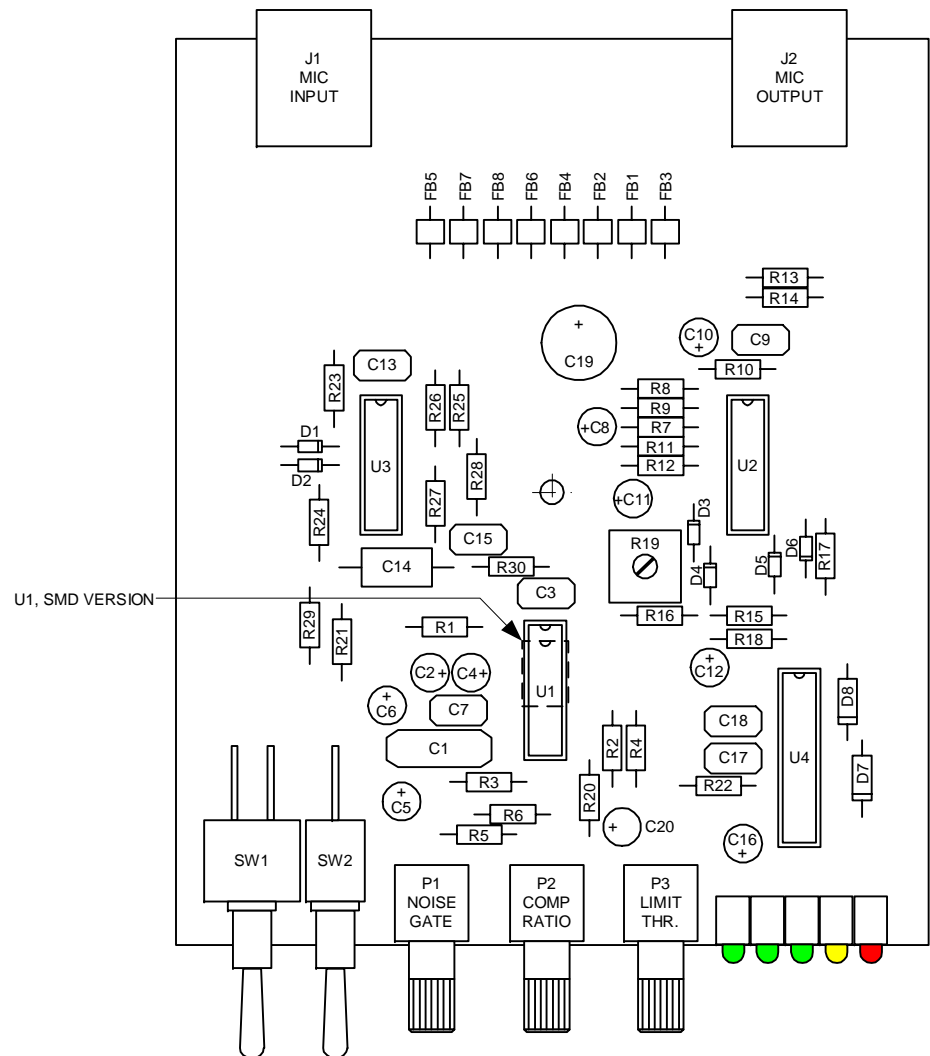


FRONT OF ENCLOSURE



DESIGN: A. BAKER	06/02/04	 FT-817 VOCALMASTER PANEL CUTOUTS & DECALS
TESTED: A. BAKER	09/23/04	
		SCALE: 1:1
		SHEET 3 OF 12
		REV. 0

Part #	Description
U1	IC, SSM2166P, Mic Preamp, 14 pin DIP
U1 (Alternate)	IC, SSM2166S, Mic Preamp, 14 pin SMD
U2	IC, LM324, Single Supply Op Amp, 14 pin DIP
U3	IC, CD4093, Quad 2-input NAND Schmitt Trigger, 14 pin DIP
U4	IC, LM3915, LED Dot/Bar Driver, 18 pin DIP
SW1	Switch, Toggle, DPDT
SW2	Switch, Toggle, SPDT
J1-J2	RJ-45 Connector
LED1-LED3	LED, Green, 2 mA
LED4	LED, Yellow, 2 mA
LED5	LED, Red, 2 mA
FB1-FB8	Ferrite Bead
P1	Potentiometer, 9mm, 1M, Linear Taper
P2	Potentiometer, 9mm, 500K, Linear Taper
P3	Potentiometer, 9mm, 50K, Linear Taper
R1	Resistor, Metal Film, 1/4W, 1%, 1.24K, BR,RD,YW,BR,BR
R2, R5, R6	Resistor, Metal Film, 1/4W, 1%, 6.98K, BU,WH,GY,BR,BR
R21	Not Used
R4	Resistor, Metal Film, 1/4W, 1%, 17.4K, BR,PR,YW,RD,BR
R3, R7, R20	Resistor, Metal Film, 1/4W, 1%, 10K, BR,BK,BK,RD,BR
R8, R9	Resistor, Metal Film, 1/4W, 1%, 22K, RD,RD,BK,RD,BR
R11, R12, R13, R15, R16, R23, R24, R25, R26, R28, R29, R30	Resistor, Metal Film, 1/4W, 1%, 100K, BR, BK, BK, OR, BR
R10	Resistor, Metal Film, 1/4W, 1%, 6.2K, BU,RD,BK,BR,BR
R14, R17	Resistor, Metal Film, 1/4W, 1%, 200K, RD,BK,BK,OR,BR
R18	Resistor, Metal Film, 1/4W, 1%, 1K, BR,BK,BK,BR,BR
R22	Resistor, Metal Film, 1/4W, 1%, 18K, BR,GY,BK,RD,BR
R27	Resistor, Metal Film, 1/4W, 1%, 249K, RD,YW,WH,OR,BR
R19	Trimpot, Single Turn, 100K
C1	Capacitor, Polyester, 0.1uF
C14	Capacitor, Polystyrene, 0.01uF, 5%
C7	Capacitor, Ceramic, 0.001uF (1,000pF)
C15, C17	Capacitor, Ceramic, 0.01uF (10,000pF)
C3, C9, C13, C18	Capacitor, Ceramic, 0.1uF
C8, C10, C12, C20	Capacitor, Electrolytic, 1uF, 25V
C5	Capacitor, Electrolytic, 2.2uF, 16V
C2, C4, C11, C16	Capacitor, Electrolytic, 10uF, 16V
C6	Capacitor, Electrolytic, 22uF, 16V
C19	Capacitor, Electrolytic, 330uF, 16V
D1, D2, D3, D4, D5, D6	Diode, 1N4148
D7, D8	Diode, 1N4001
* Mouser has minimum quantity of 10 each	
Mouser Electronics	http://www.mouser.com
Palomar	http://www.palomar-engineers.com
Digikey	http://www.digikey.com
ExpressPCB	http://www.expresspcb.com
Small Bear Electronics	http://www.smallbearsalec.com



DESIGN: A. BAKER	06/02/04	 FT-817 VOCALMASTER PCB ASSEMBLY
TESTED: A. BAKER	09/23/04	
		SCALE: 1:1
		SHEET 4 OF 12
		REV. 0