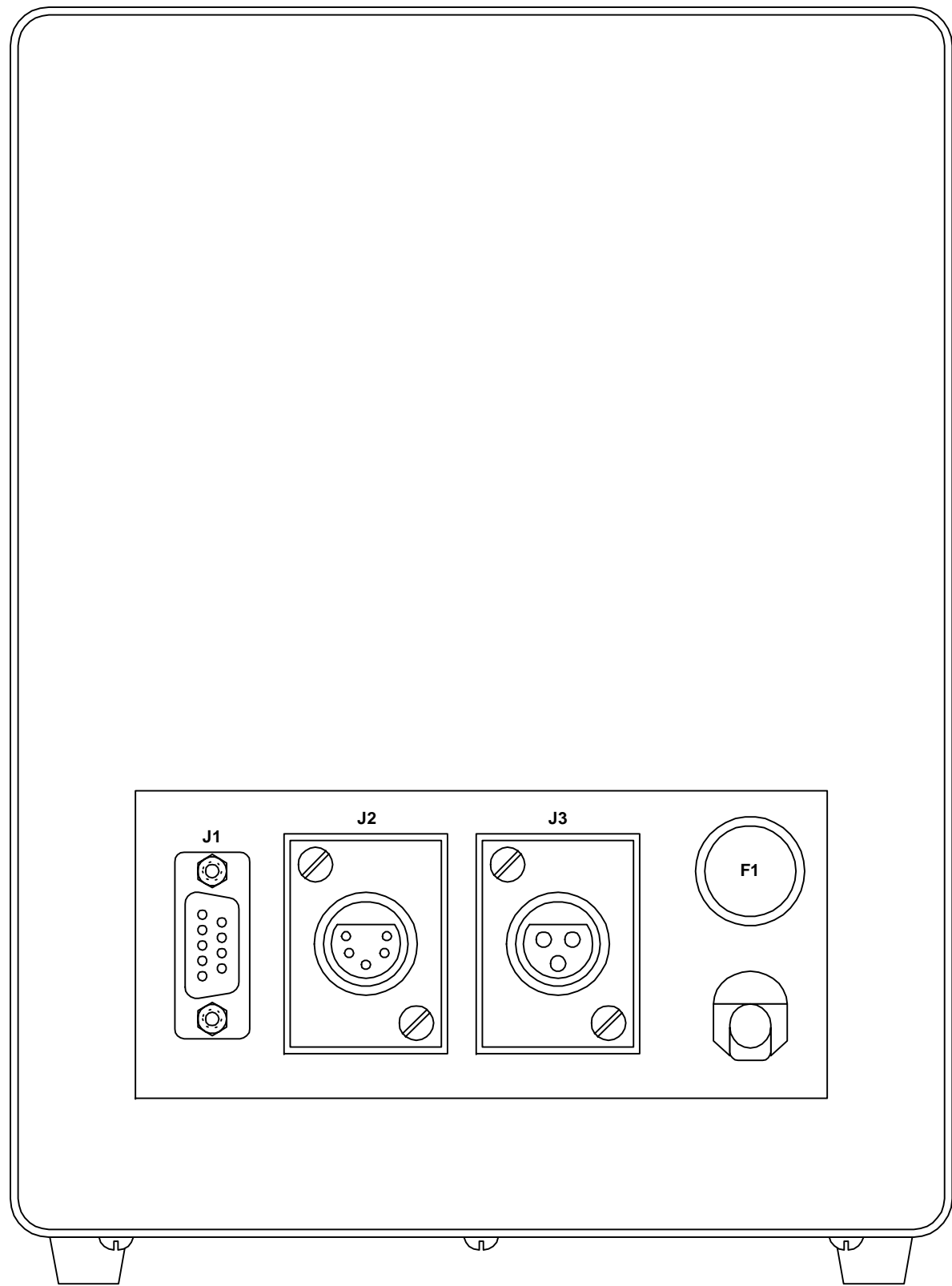
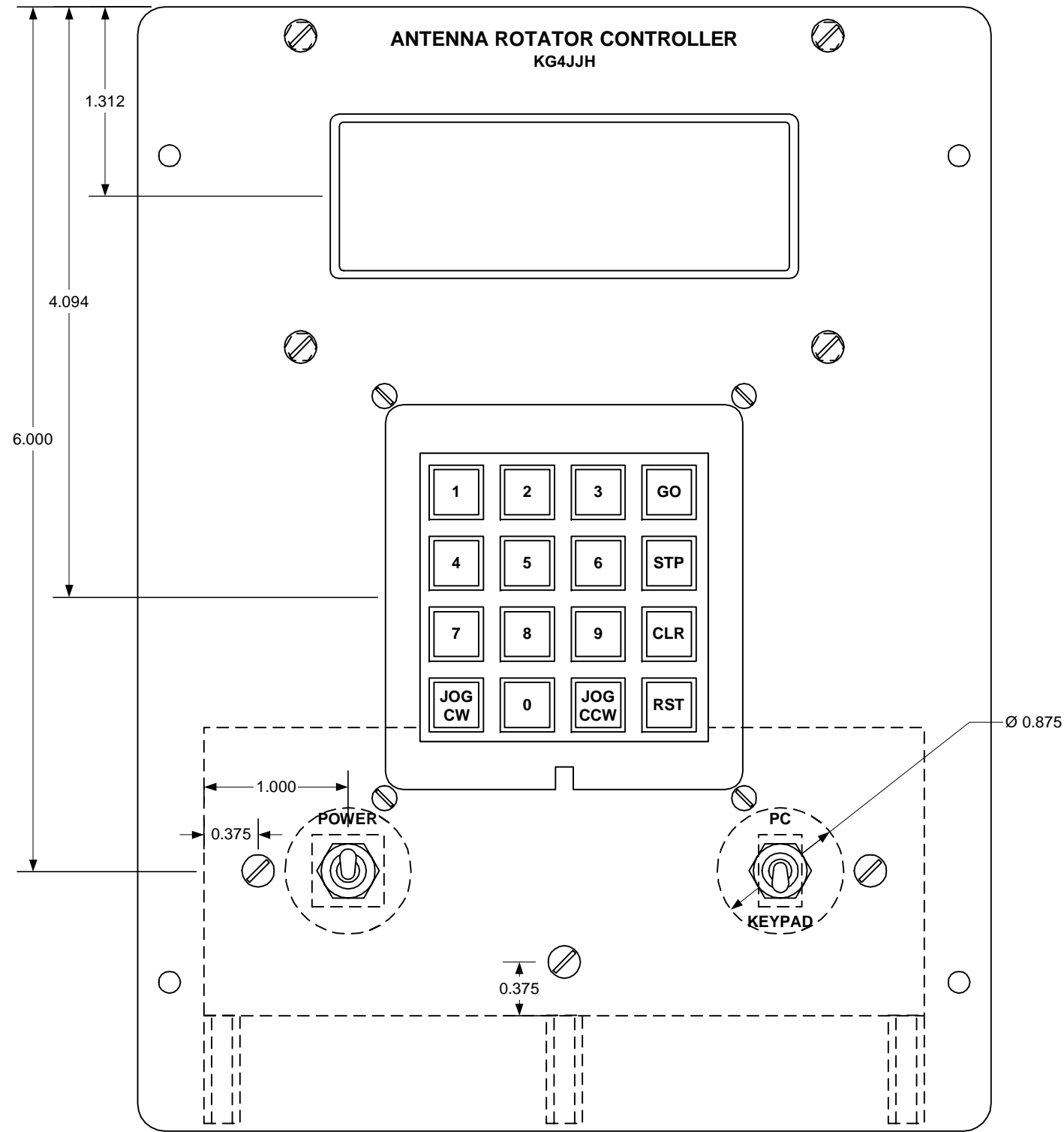


FRONT VIEW

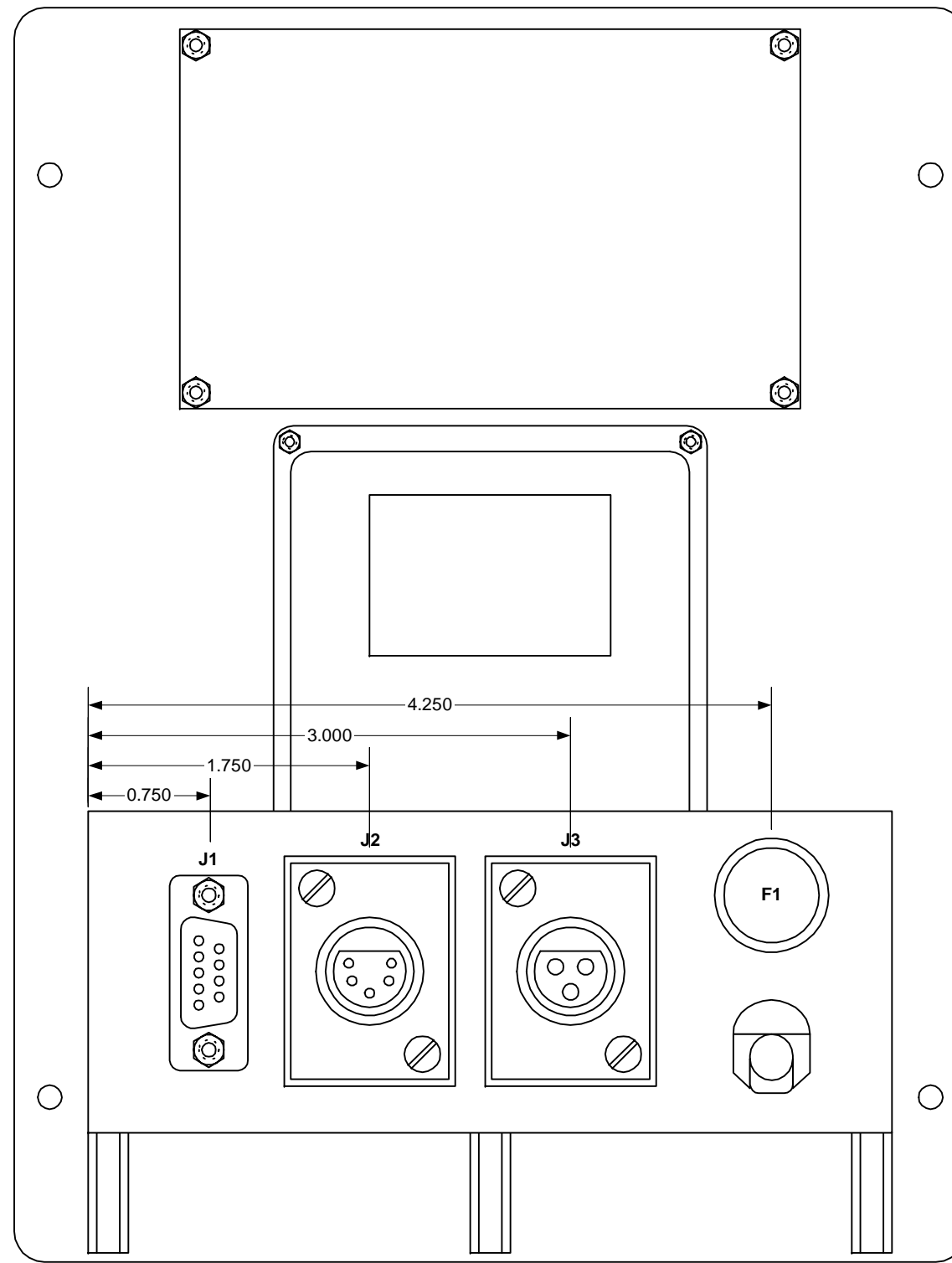


REAR VIEW

DESIGN: KG4JJH	09/23/07	KG4JJH
TESTED: KG4JJH	01/15/08	
		ANTENNA ROTATOR CONTROLLER ASSEMBLY
		SCALE: 1:1 SHEET 1 OF 5 REV. 0

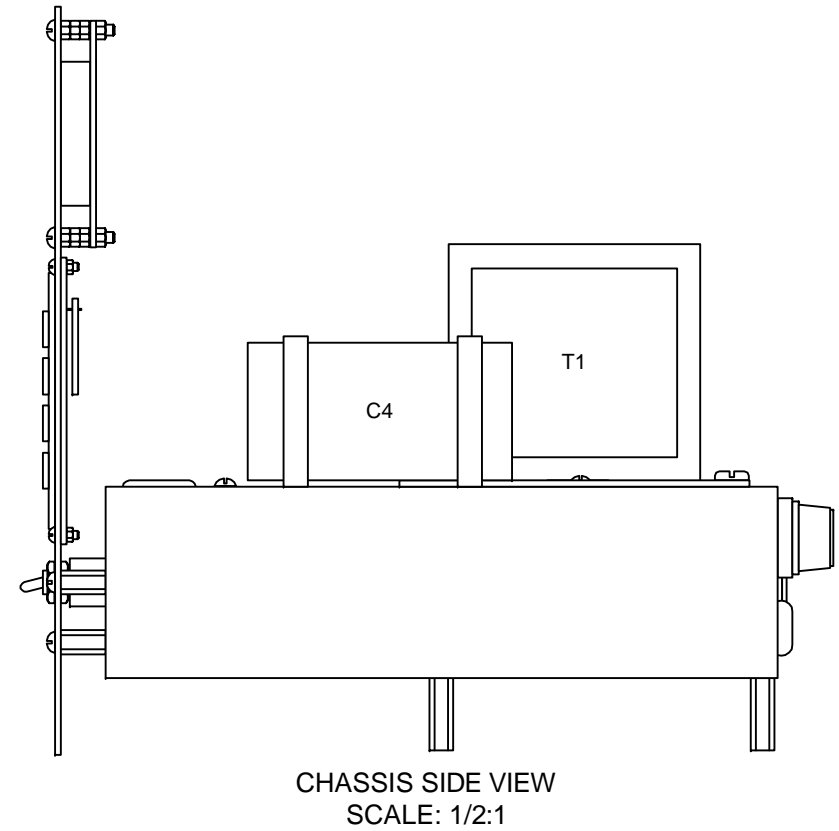
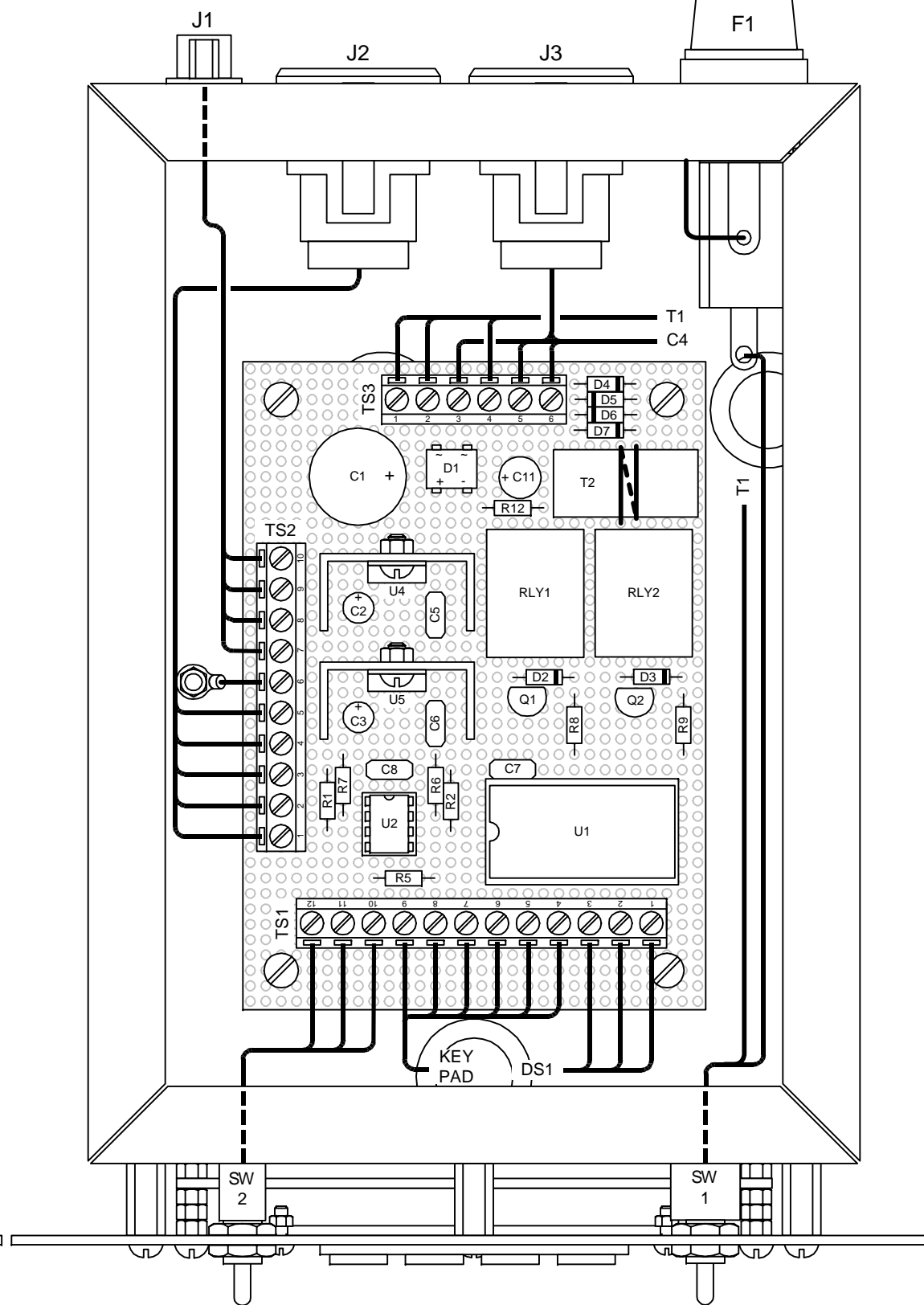
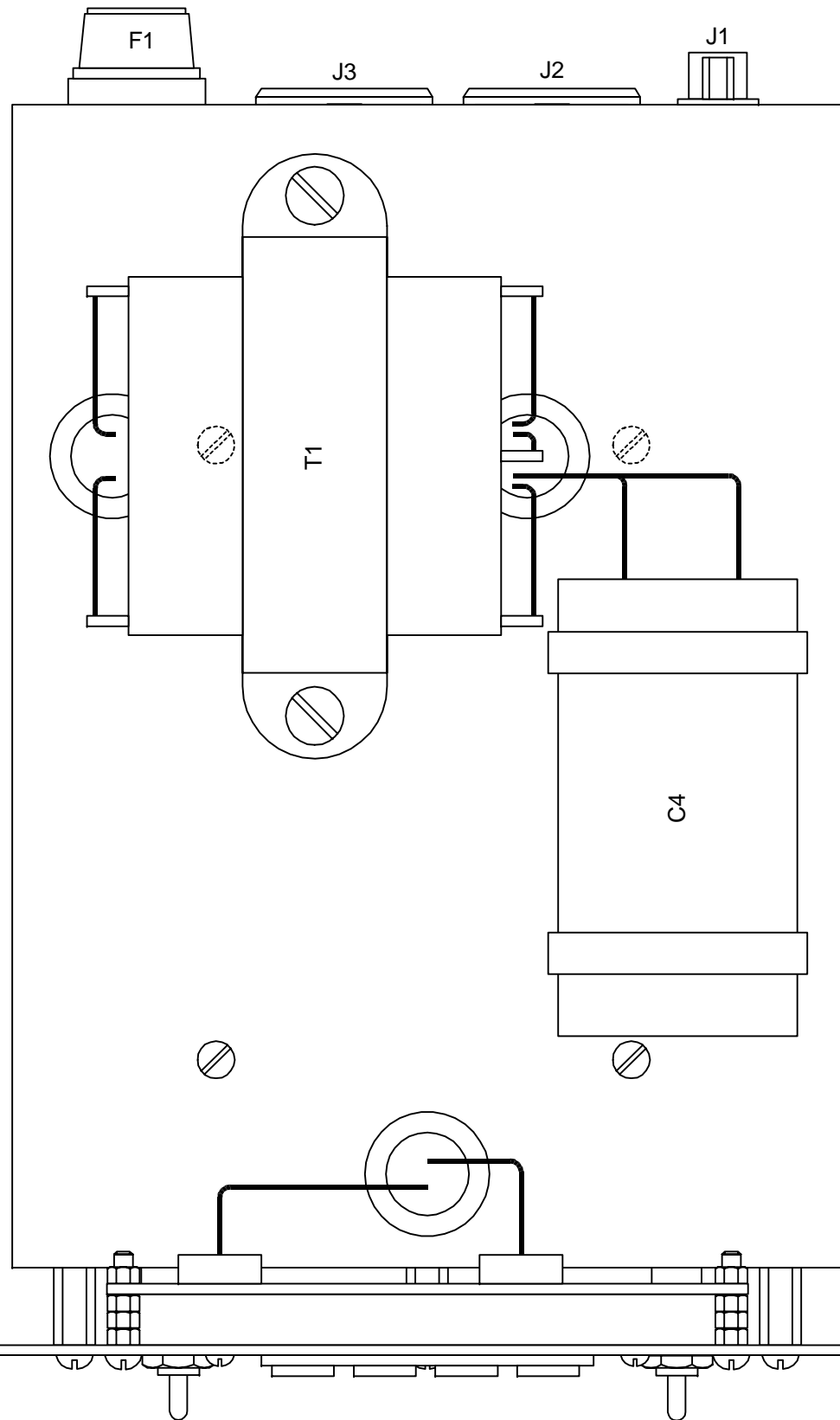


FRONT VIEW



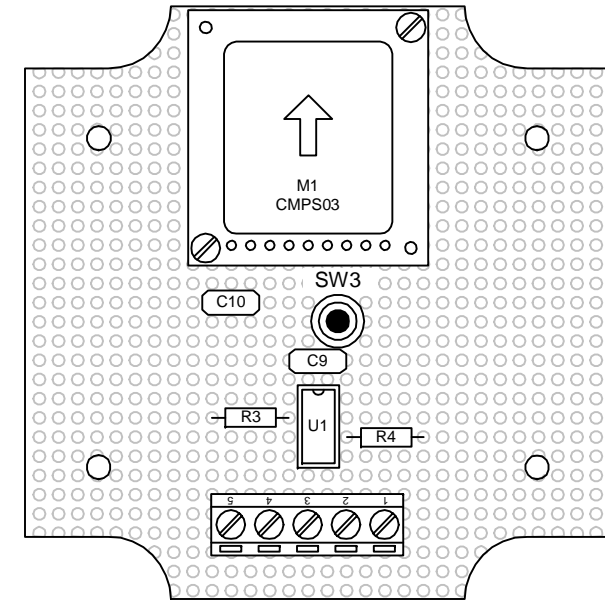
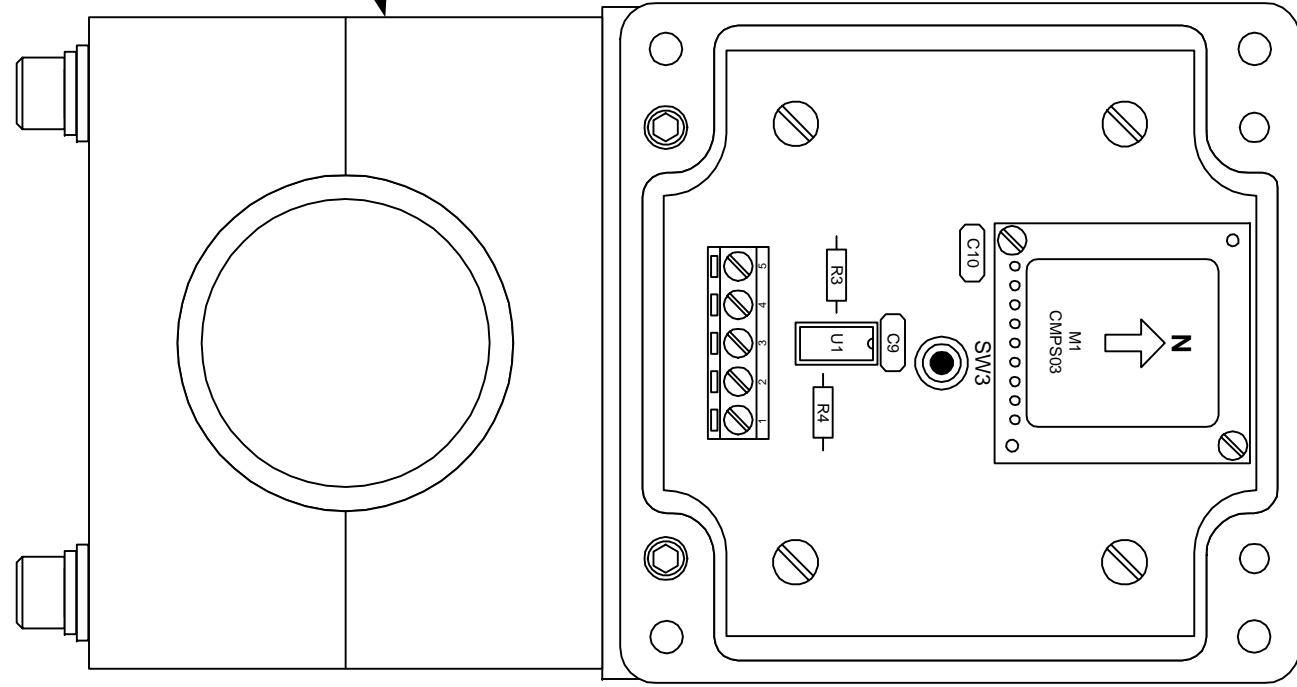
REAR VIEW

DESIGN: KG4JJH	09/23/07	KG4JJH
TESTED: KG4JJH	01/15/08	
		ANTENNA ROTATOR CONTROLLER LAYOUT
SCALE: 1:1	SHEET 2 Of 5	REV. 0

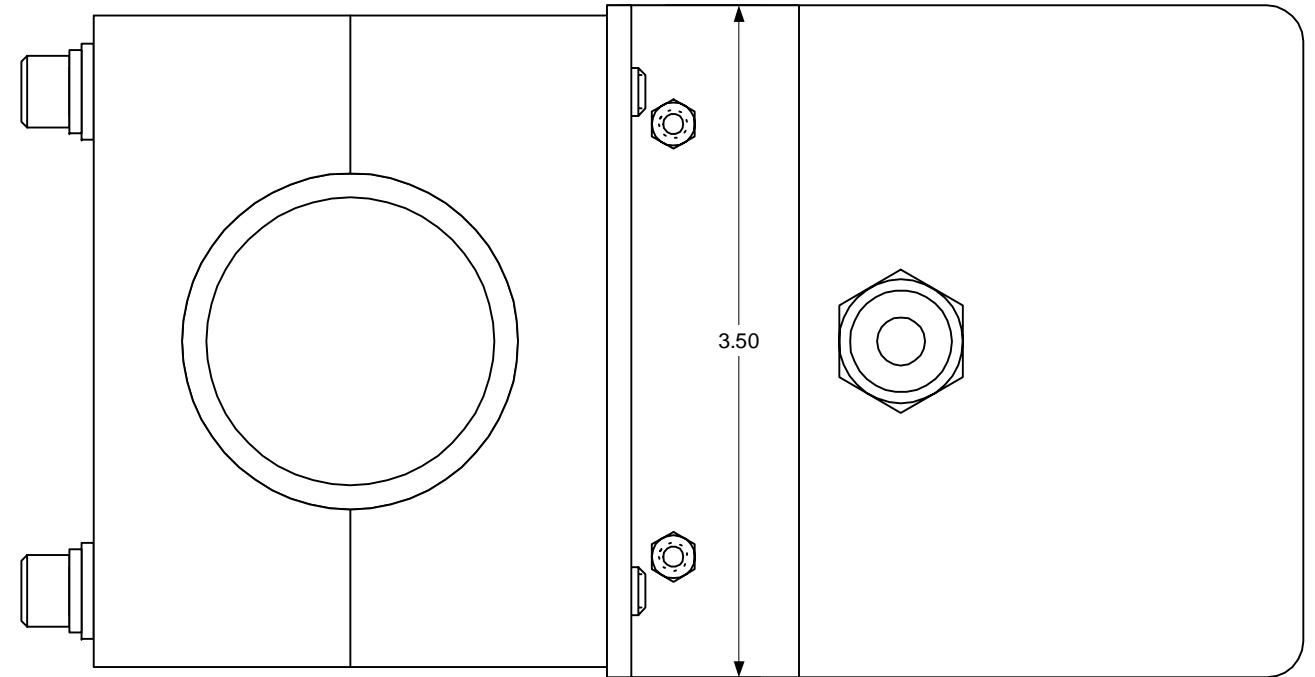
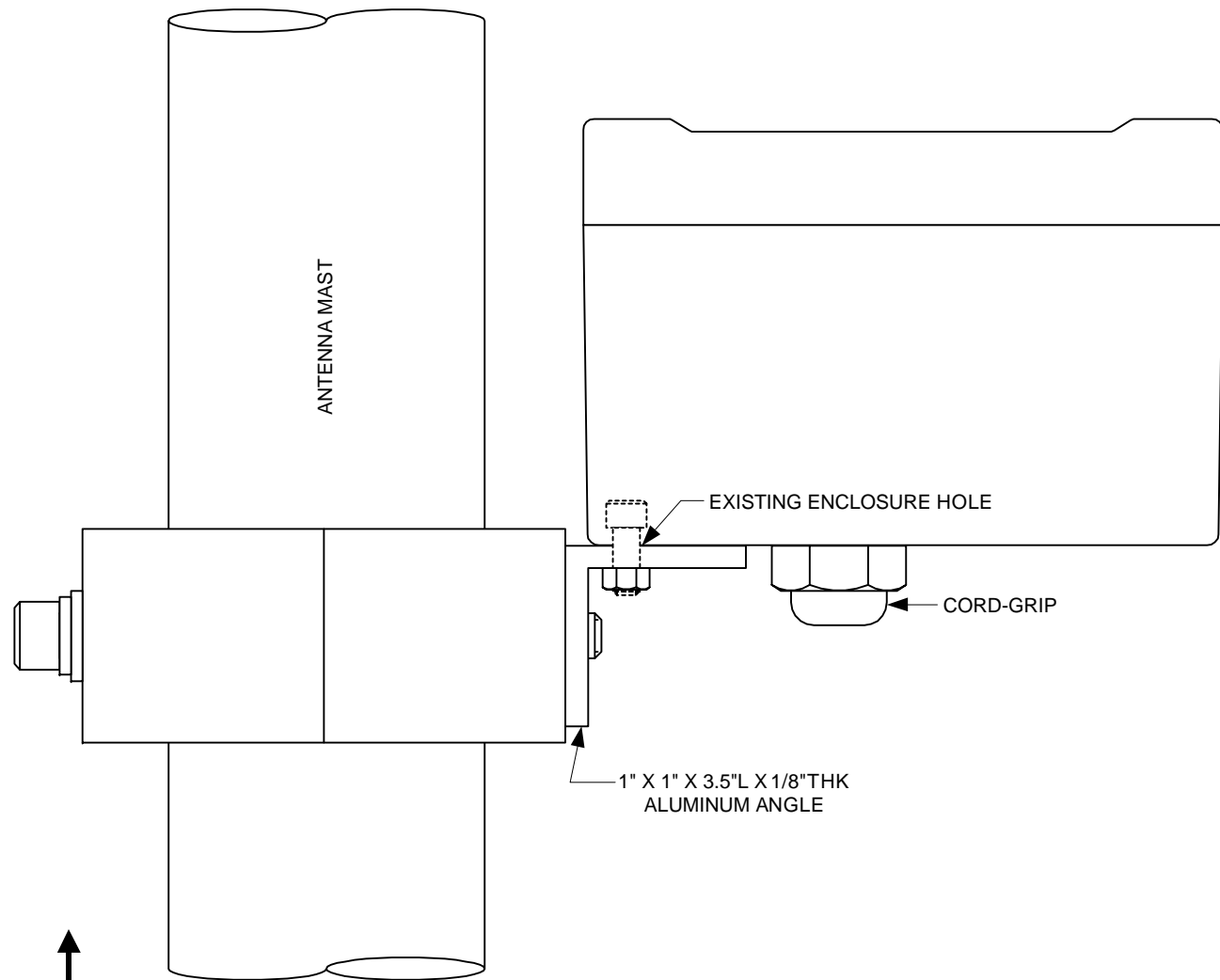


DESIGN: KG4JJH	09/23/07	KG4JJH	
TESTED: KG4JJH	01/15/08		
		ANTENNA ROTATOR CONTROLLER CHASSIS & PERF BOARD DETAILS	
		SCALE: NOTED	SHEET 3 OF 5
			REV. 0

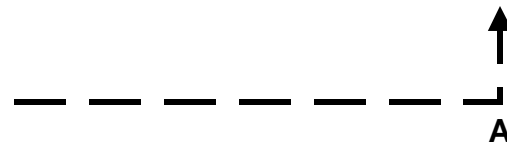
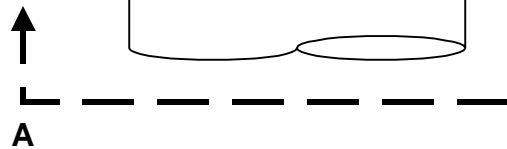
1-3/4" RESIN SUPPORT BLOCK CLAMP
DX ENGINEERING DXE-RSB-113400



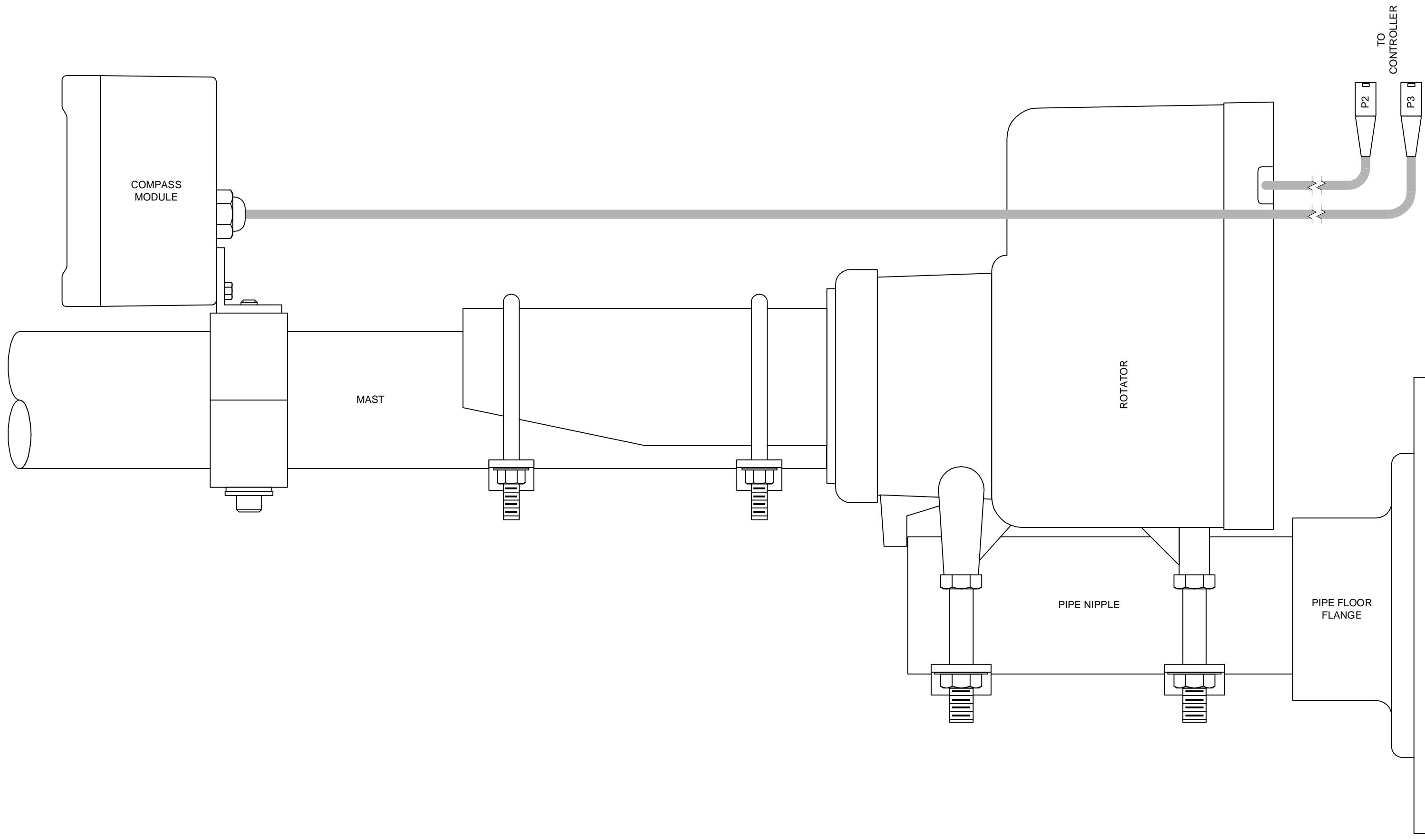
PERF BOARD ASSEMBLY



VIEW A-A



DESIGN: KG4JJH	09/23/07	KG4JJH
TESTED: KG4JJH	01/15/08	
		ANTENNA ROTATOR CONTROLLER MAGNETIC SENSOR DETAILS
SCALE: 1:1	SHEET 4 OF 5	REV. 0



DESIGN: KG4JJH	09/23/07	KG4JJH
TESTED: KG4JJH	01/15/08	
		ANTENNA ROTATOR CONTROLLER MOUNTING DETAILS
SCALE: NTS	SHEET 5 OF 5	REV. 0