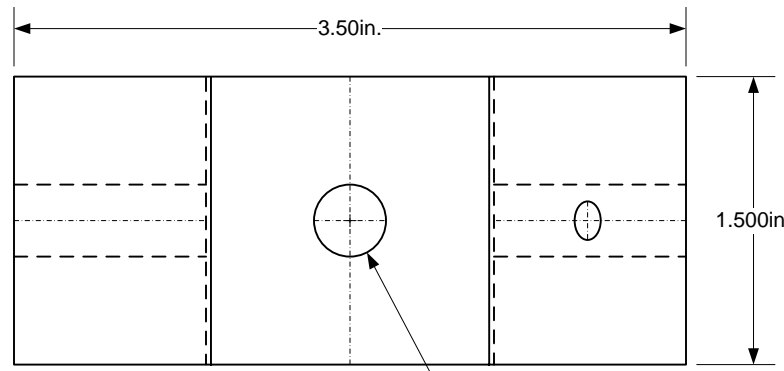


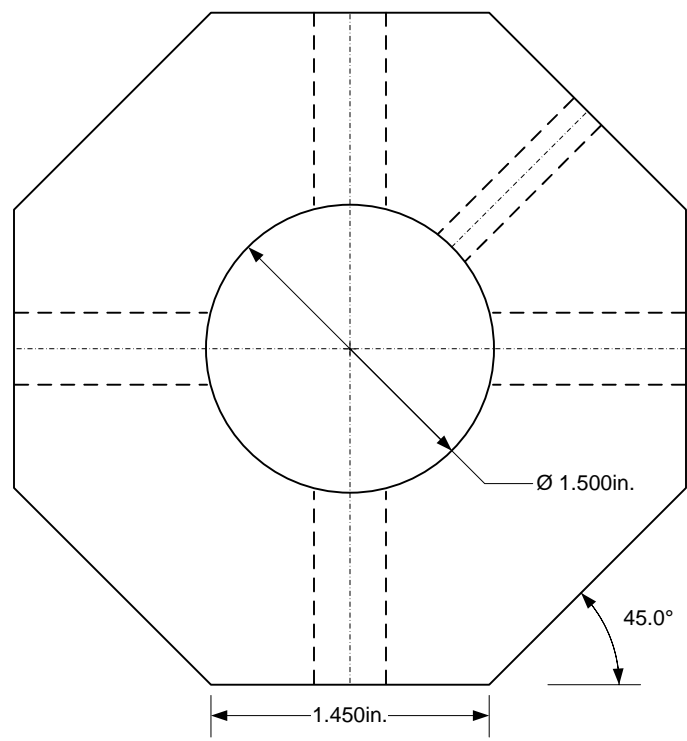
SIDE VIEW

FRONT VIEW

<i>KG4JJH</i>			
6M 4-ELEMENT QUAD ASSEMBLY			
SIZE B	DESIGN A. BAKER	DWG NO	REV 0
SCALE 1/16 : 1	5/26/10	SHEET	1 OF 2

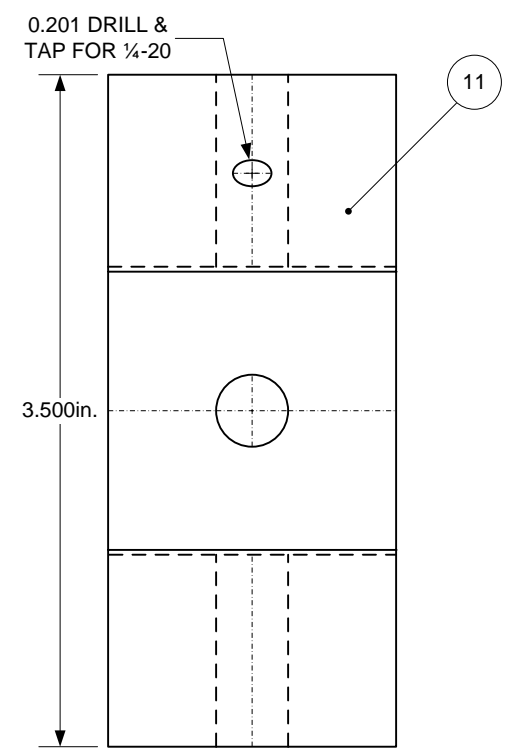


Ø 0.375in., 4 HOLES



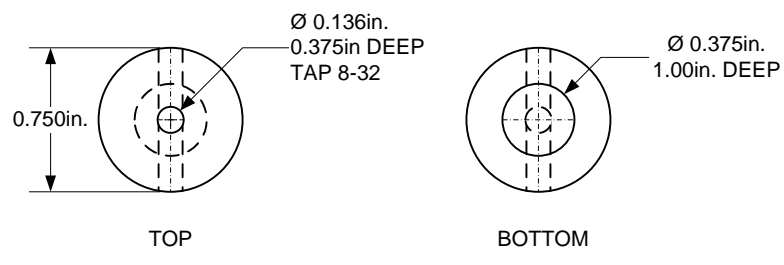
SPREADER HUB

REQUIRED: 4 EA
SCALE: 1:1



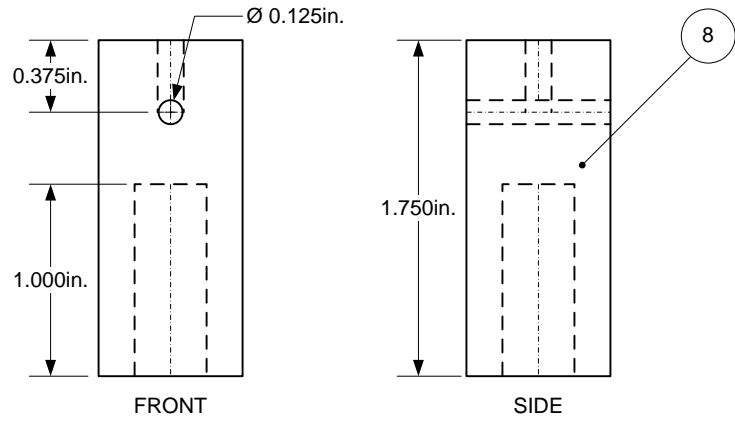
0.201 DRILL &
TAP FOR 1/4-20

11



TOP

BOTTOM

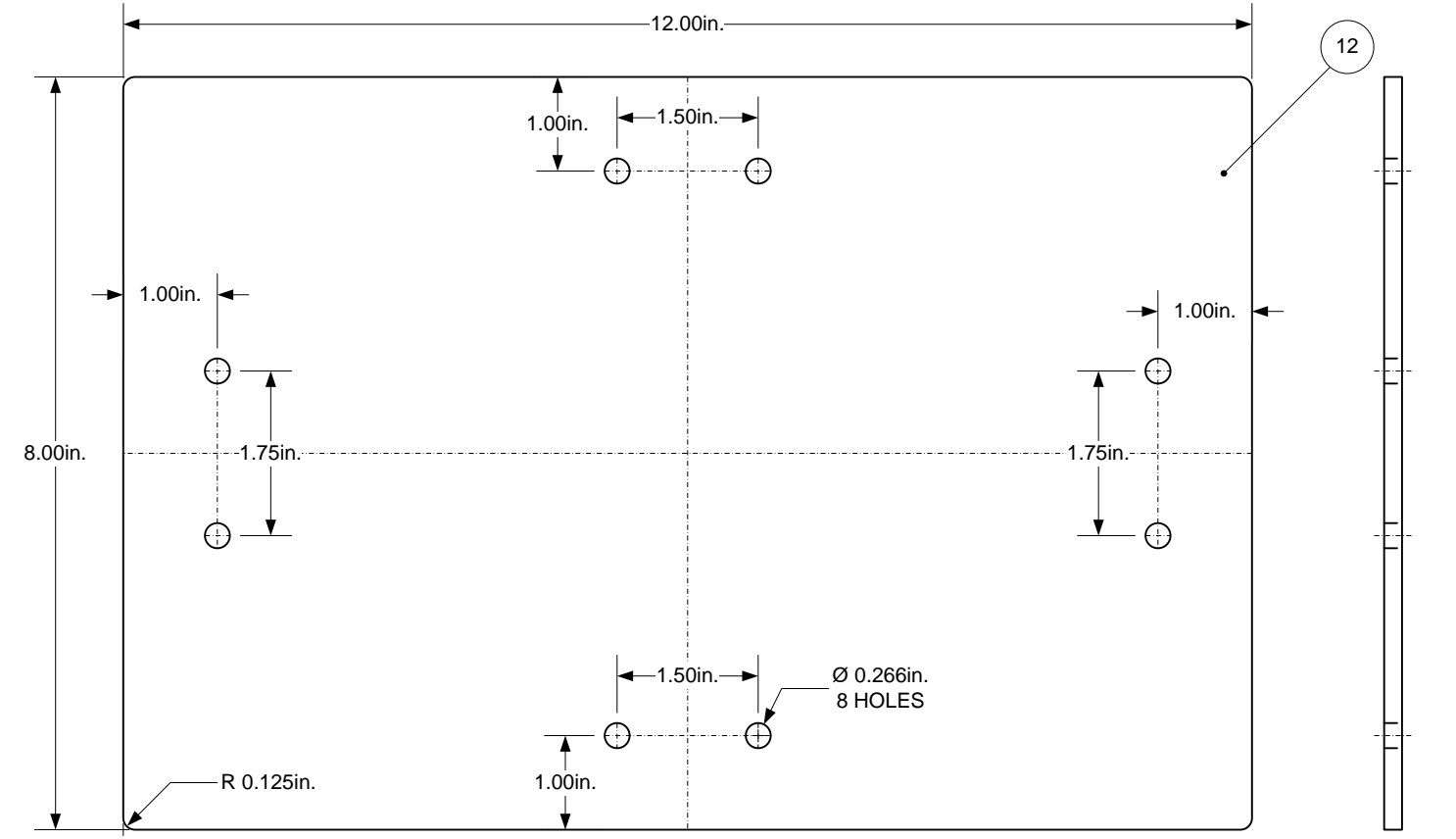


FRONT

SIDE

ELEMENT CLAMP

REQUIRED: 16 EA
SCALE: 1:1



BOOM TO MAST PLATE

REQUIRED: 1 EA
SCALE: 1:2

KG4JJH			
6M 4-ELEMENT QUAD DETAILS			
SIZE B	DESIGN A. BAKER	DWG NO	REV 0
SCALE NOTED	5/26/10	SHEET	2 OF 2