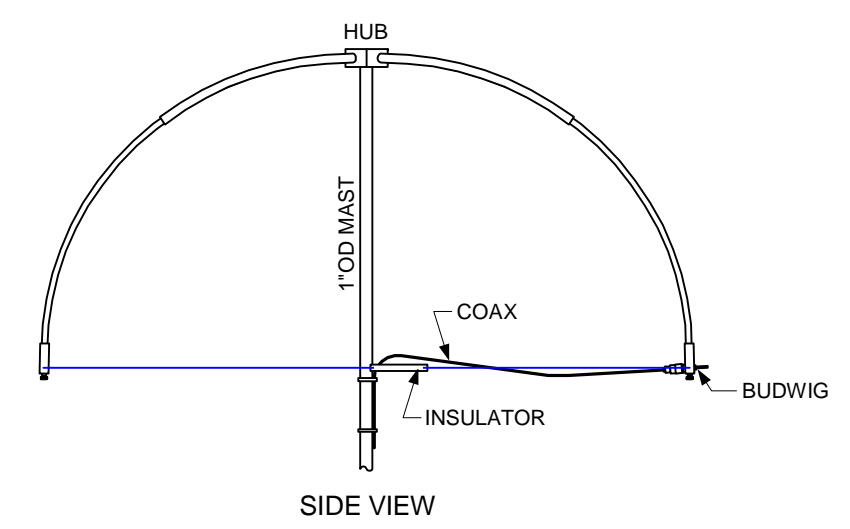
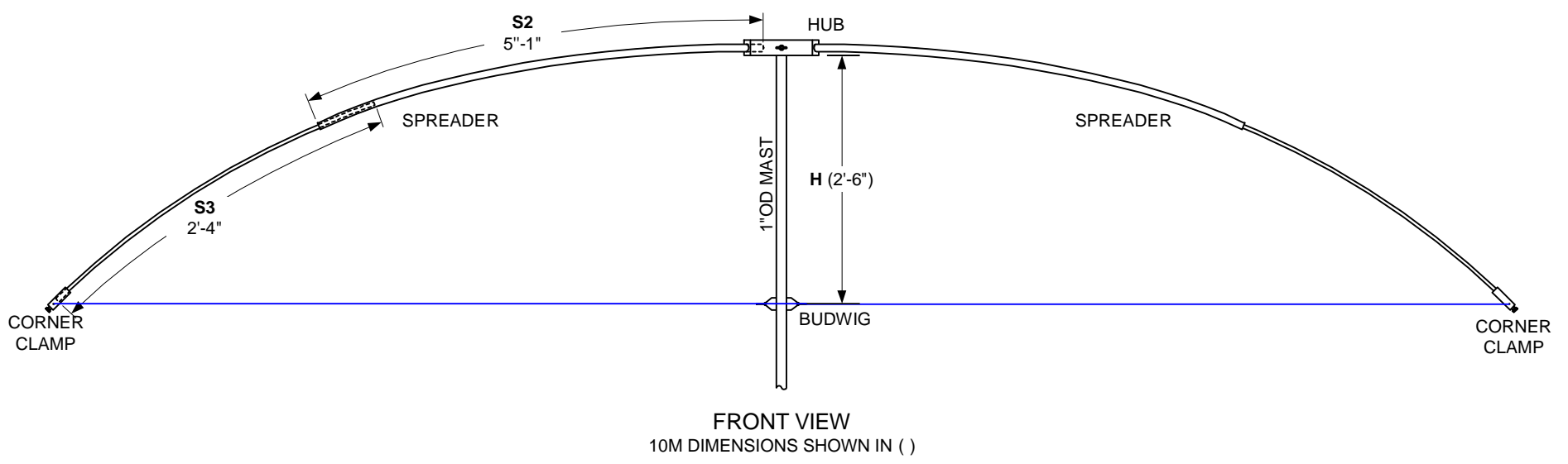
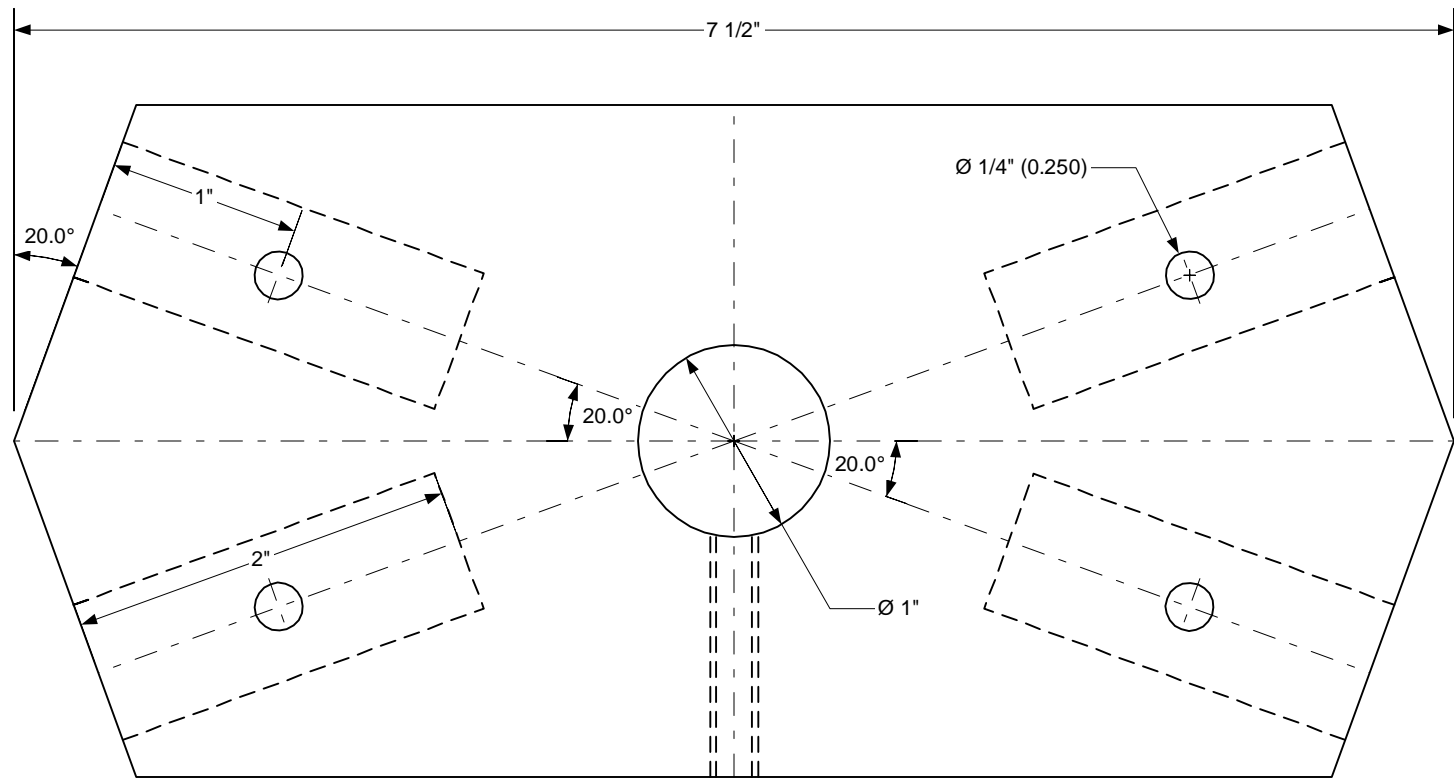


Home Depot #14 Stranded Insulated THHN Wire  
 $F_o = 28.25 \text{ MHz @ } 25 \text{ ft.}$   
 $A = 147 \frac{1}{4}'' (12'-3 \frac{1}{4}'')$   
 $B = 22 \frac{3}{16}'' (1'-10 \frac{3}{16}'')$   
 $C = 4 \frac{1}{16}''$   
 $D = 27 \frac{7}{16}'' (2'-3 \frac{7}{16}'')$   
 $E = 53 \frac{11}{16}'' (4'-5 \frac{11}{16}'')$

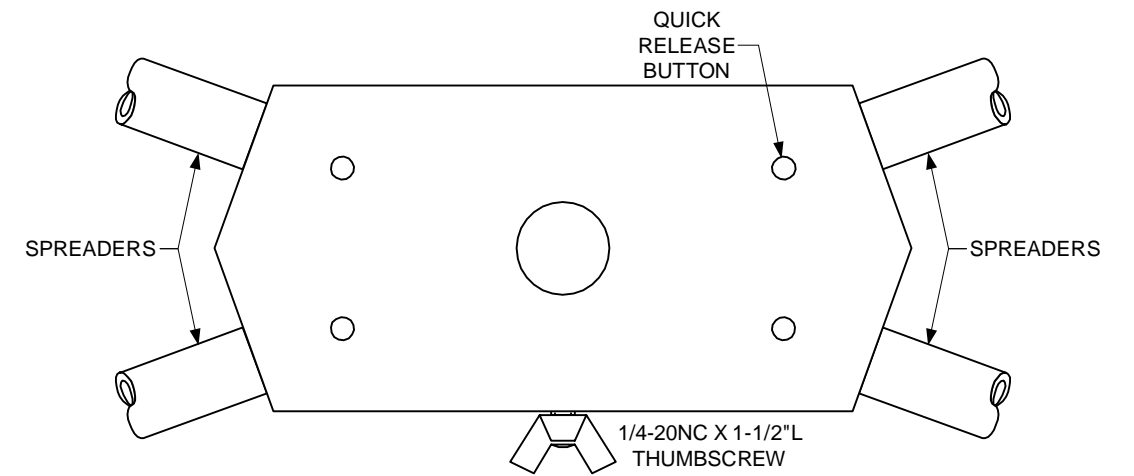
$1/2A + B = 95 \frac{13}{16}'' (7'-11 \frac{13}{16}'')$   
 $A + 2D = 202 \frac{1}{8}'' (16'-10 \frac{1}{8}'')$



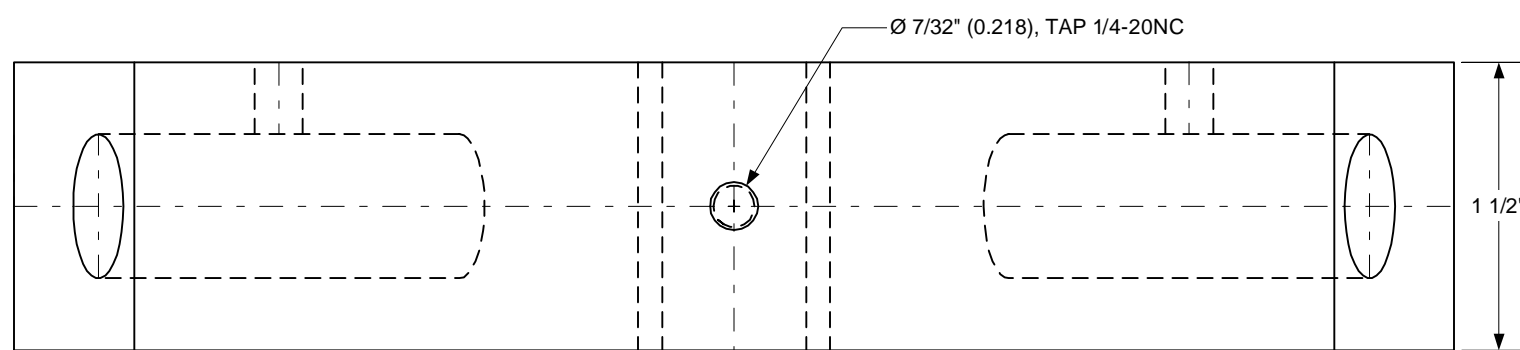
<b>KG4JJH</b>		
<b>MOXBEAM ASSEMBLY</b>		
SCALE: NONE	SHEET 1 OF 4	REV. 0
DESIGN: A. BAKER	DATE: 4/27/07	



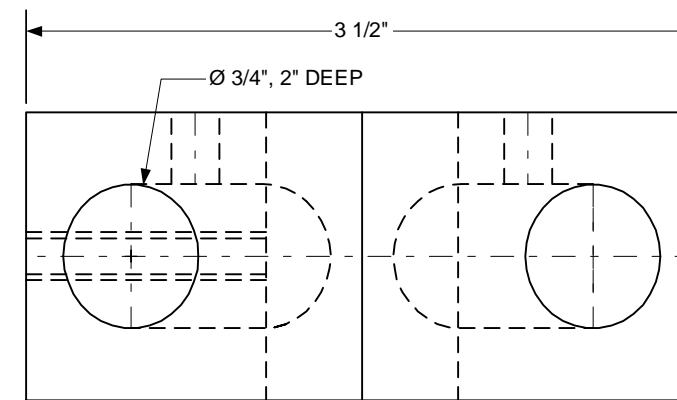
TOP VIEW



HUB ASSEMBLY  
NTS

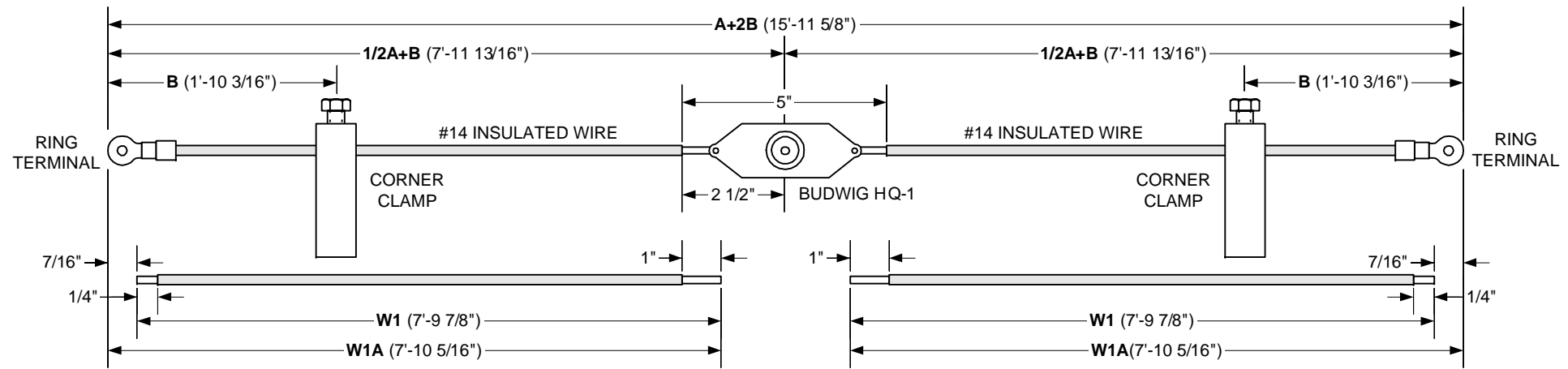


FRONT VIEW

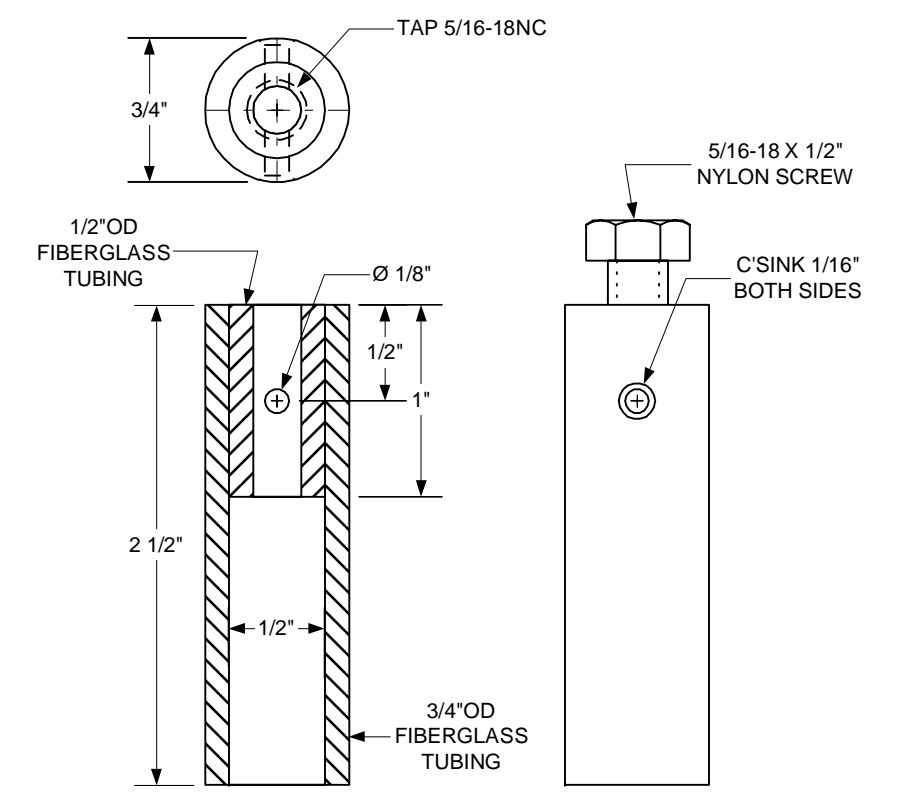


END VIEW

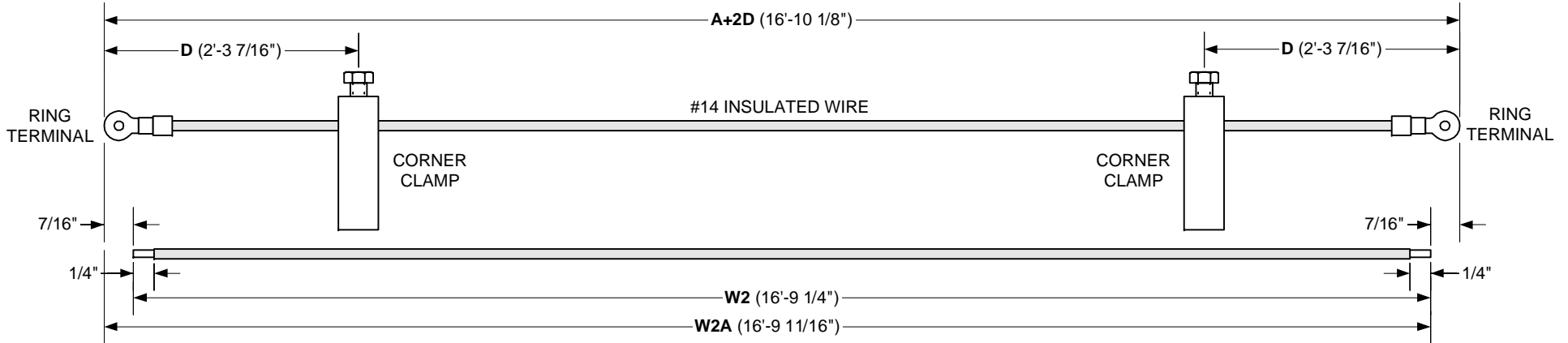
KG4JJH		
MOXBEAM HUB		
SCALE: 1:1	SHEET 2 OF 4	REV. 0
DESIGN: A. BAKER		DATE: 4/27/07



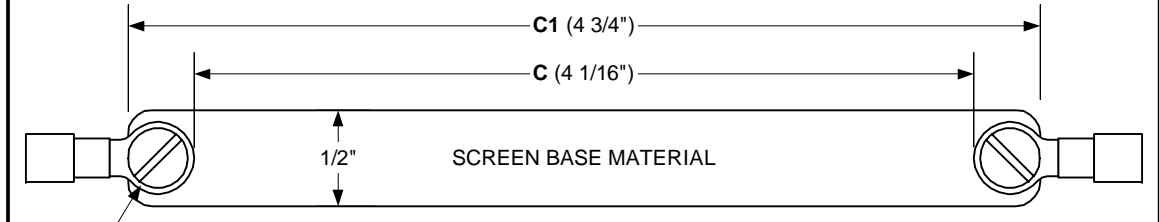
**DRIVER**  
NTS  
10M DIMENSIONS SHOWN IN ( )



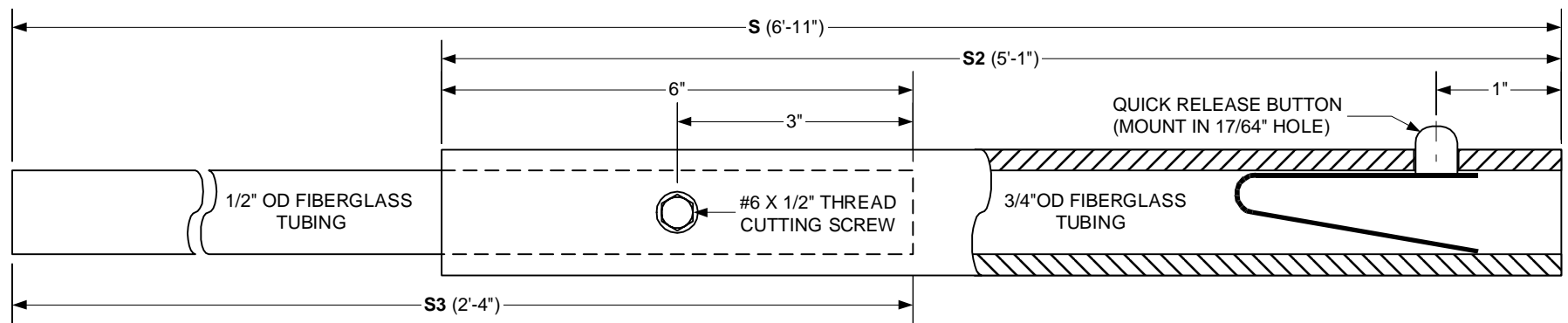
**CORNER CLAMP**  
SCALE: 1:1



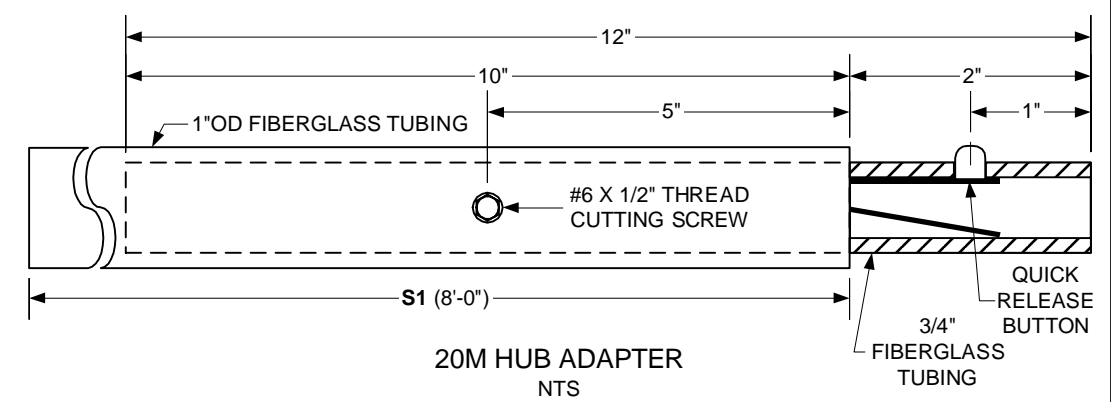
**REFLECTOR**  
NTS  
10M DIMENSIONS SHOWN IN ( )



**INSULATOR**  
SCALE: 1:1  
10M DIMENSIONS SHOWN IN ( )

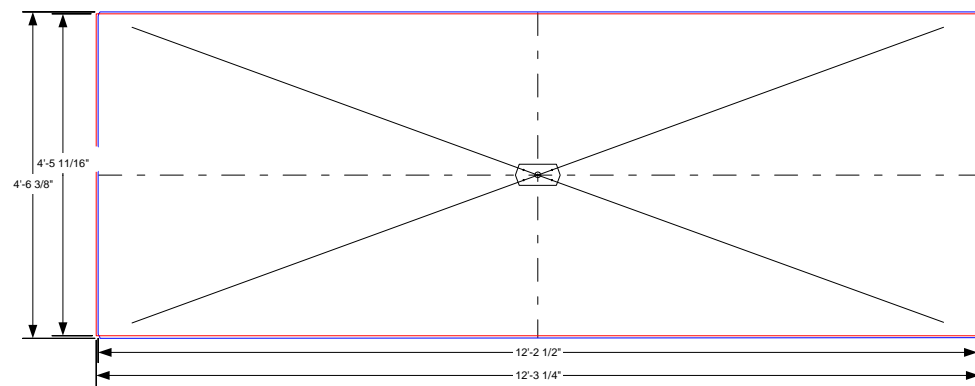
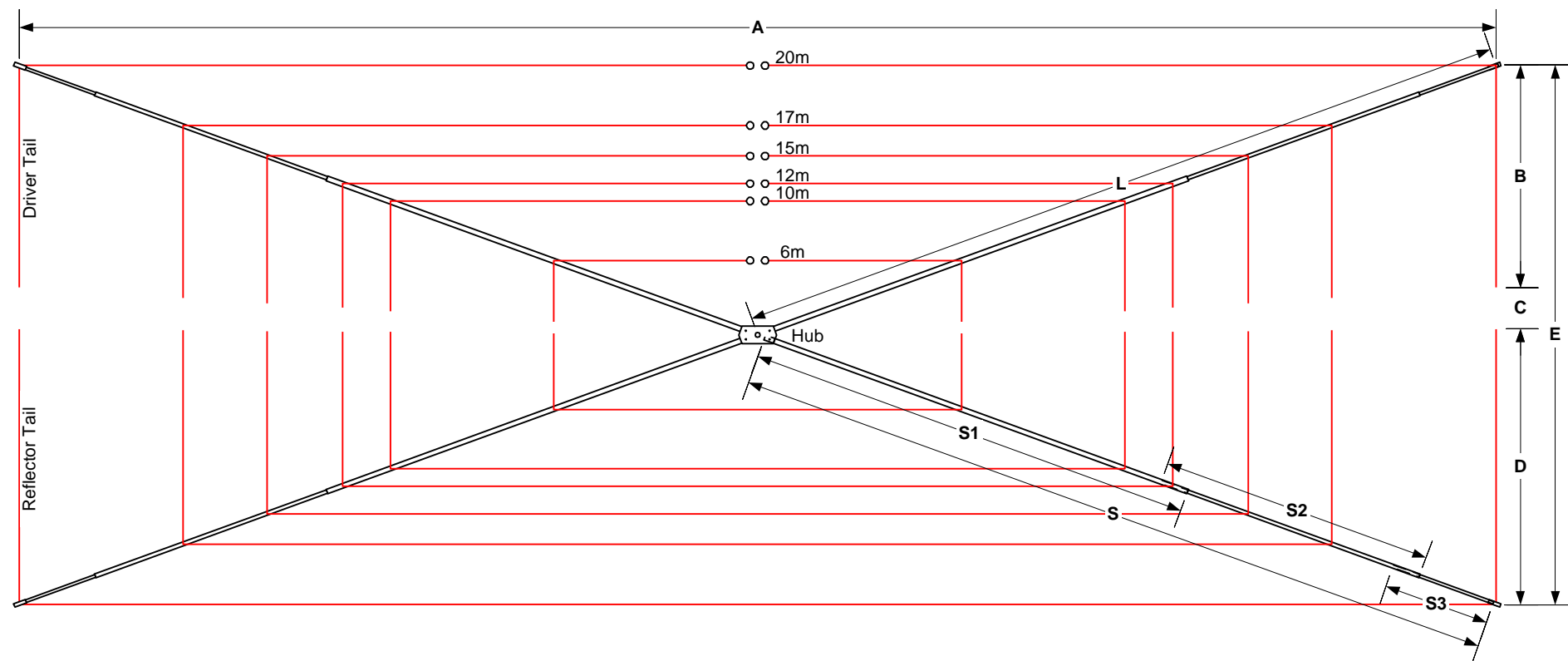


**SPREADER**  
NTS  
10M DIMENSIONS SHOWN IN ( )



**20M HUB ADAPTER**  
NTS

<b>KG4JJH</b>		
<b>MOXBEAM ELEMENTS, CORNER CLAMPS, INSULATORS, &amp; SPREADERS</b>		
SCALE: NOTED	SHEET 3 OF 4	REV. 0
DESIGN: A. BAKER	DATE: 4/27/07	



10-Meter MoxBeam  
 Moxon Rectangle (Red)  
 Moxon Rectangle w/Corner Clamps (Blue)

KG4JJH		
MOXBEAM DIMENSIONS		
SCALE: 1/32:1	SHEET 4 OF 4	REV. 0
DESIGN: A. BAKER	DATE: 4/27/07	