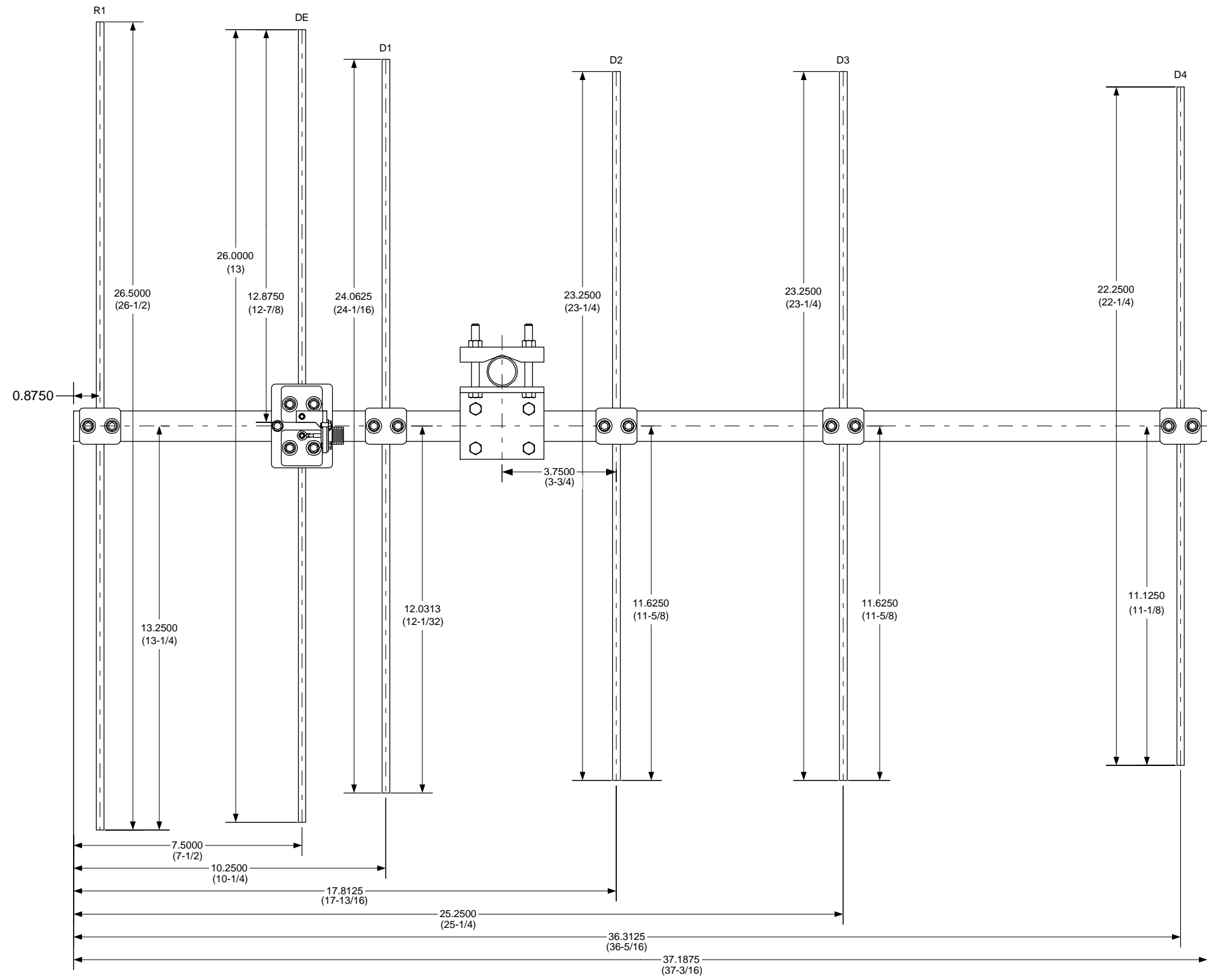
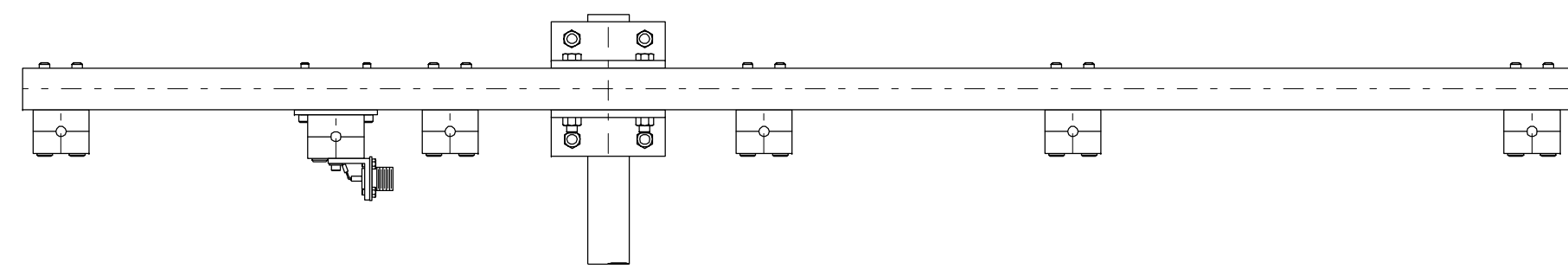


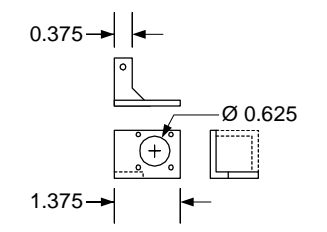
ITEM	QTY	PART NO.	DESCRIPTION	SOURCE
1	37-1/4"	88875K33	SQUARE TUBE, ALUMINUM ,1" X 1" X 1/8" WALL	MCMASTER.COM
2	3	8974K31	ALUMINUM ROD, EXTRUDED, 1/4" OD, 6 FT.	MCMASTER.COM
3	7	DXE-RSB-I02500	RESIN SUPPORT BLOCK CLAMP, 1/4"	DXENGINEERING.COM
4	14	92196A550	SOCKET CAP SCREW, 1/4-20 X 2", STAINLESS	MCMASTER.COM
5	14	98437A110	LOCKWASHER, 1/4", STAINLESS	MCMASTER.COM
6	1		ALUMINUM FLAT, 2" X 2-3/4" X 1/8"	HOMEDEPOT.COM
7	1	M/B	MOUNTING BRACKET FOR 1" SQUARE BOOMS	ARROWANTENNAS.COM
8	6	92196A544	HEX SOCKET SCREW, 1/4-20 X 1-1/4", STAINLESS	MCMASTER.COM
9	2	92196A150	HEX SOCKET SCREW, 6-32 X 5/8", STAINLESS	MCMASTER.COM
10	2	98437A104	LOCKWASHER, #6, STAINLESS	MCMASTER.COM
11	2	7113K815	RING TERMINAL, #6, 16-14 AWG	MCMASTER.COM



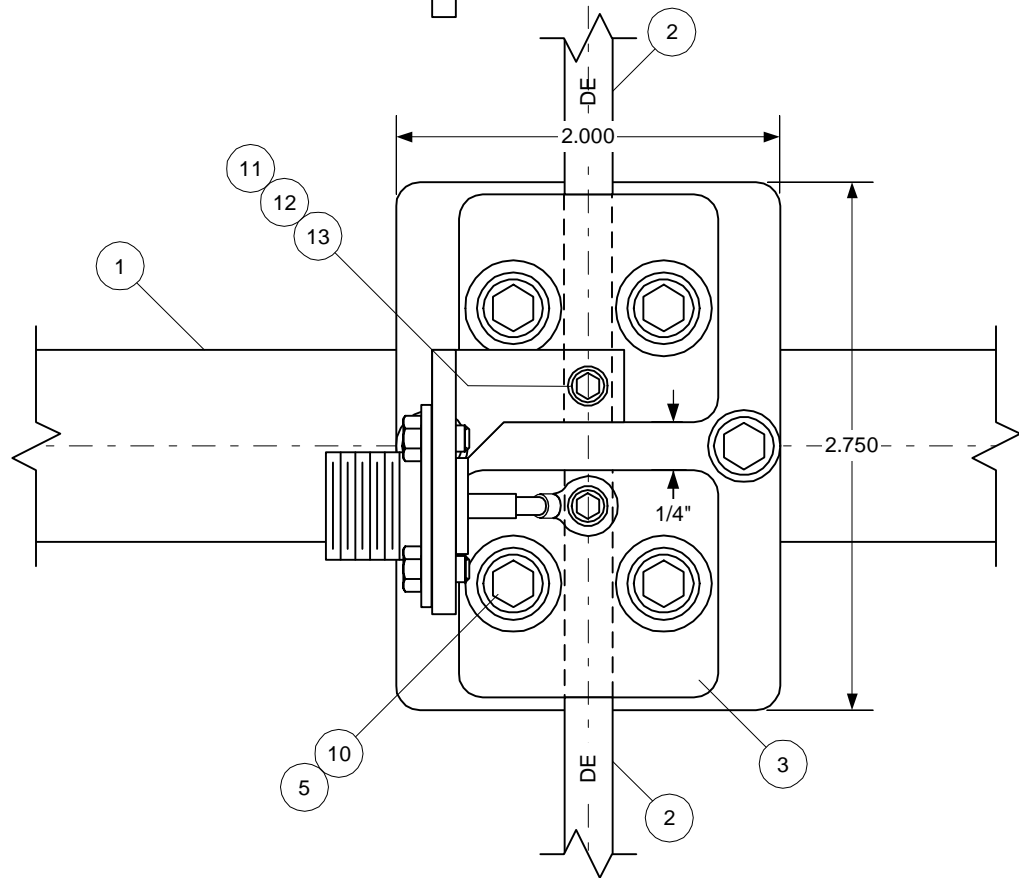
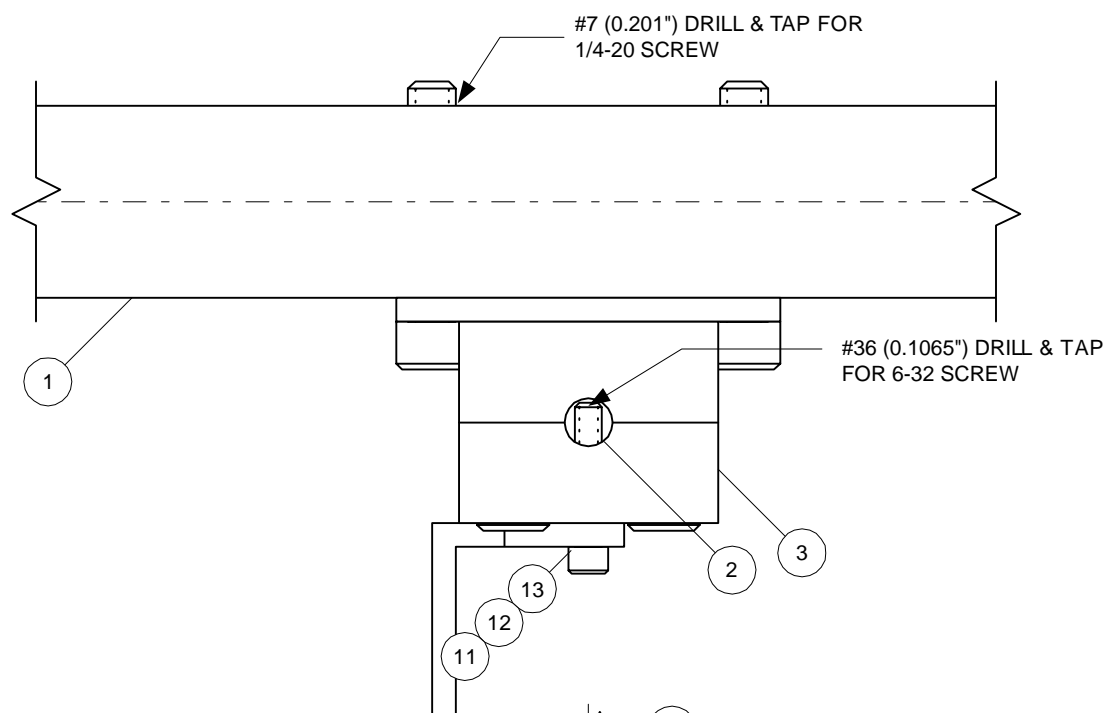
BOTTOM VIEW



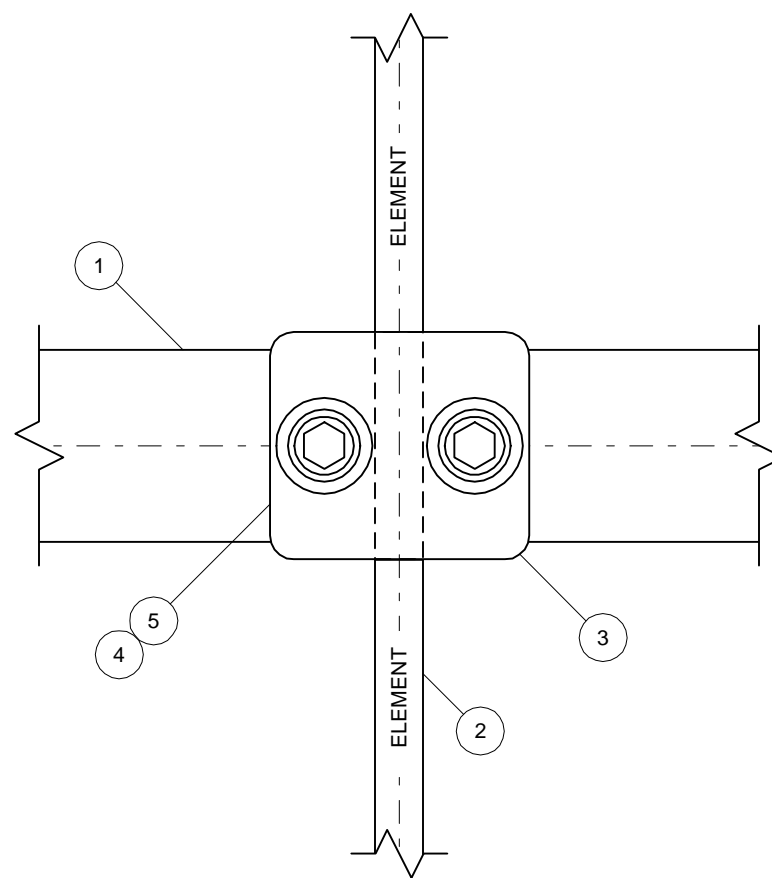
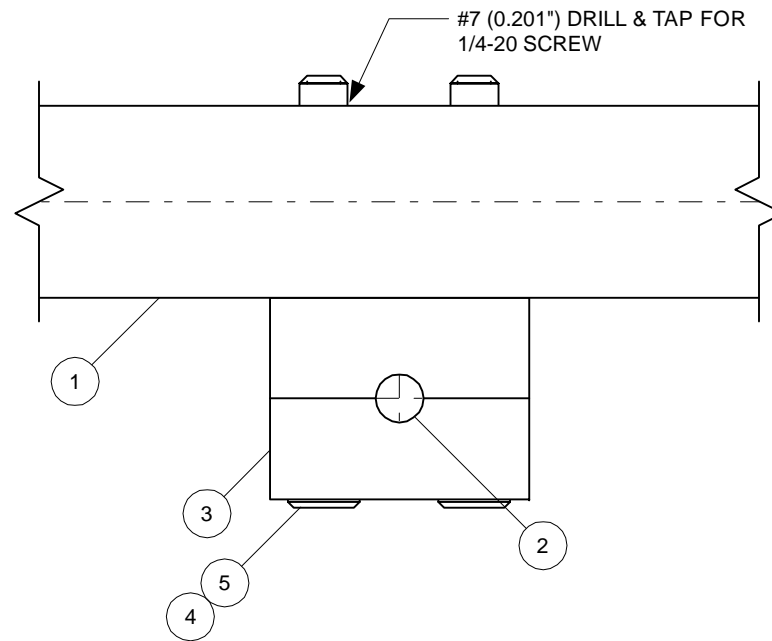
SIDE VIEW



KG4JJH		
1.25M, 6 EL, OWA YAGI ASSEMBLY		
SCALE: 1/4:1	SHEET 1 OF 2	REV. 0



DETAIL A
DRIVEN ELEMENT



DETAIL B
REFLECTOR & DIRECTORS

KG4JJH		
1.25M, 6 EL, OWA YAGI DETAILS		
SCALE: 1/4:1	SHEET 2 OF 2	REV. 0